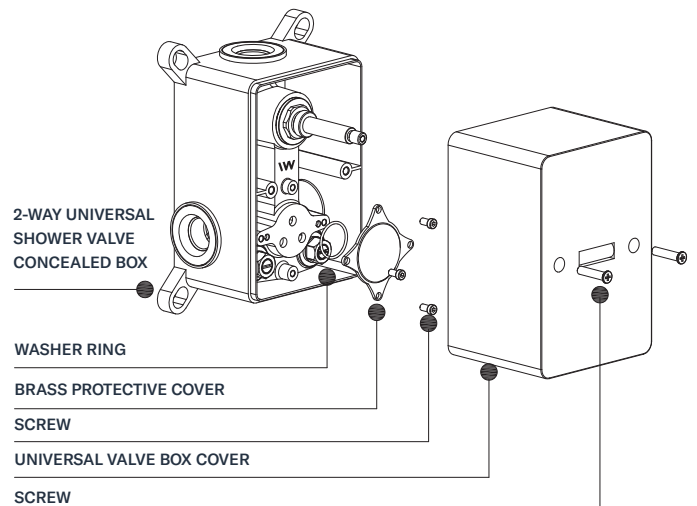
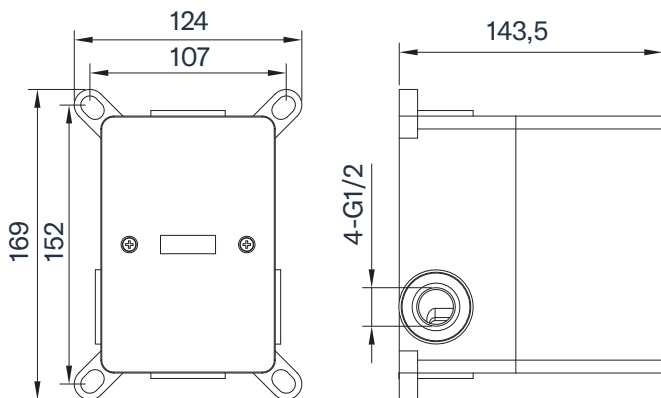
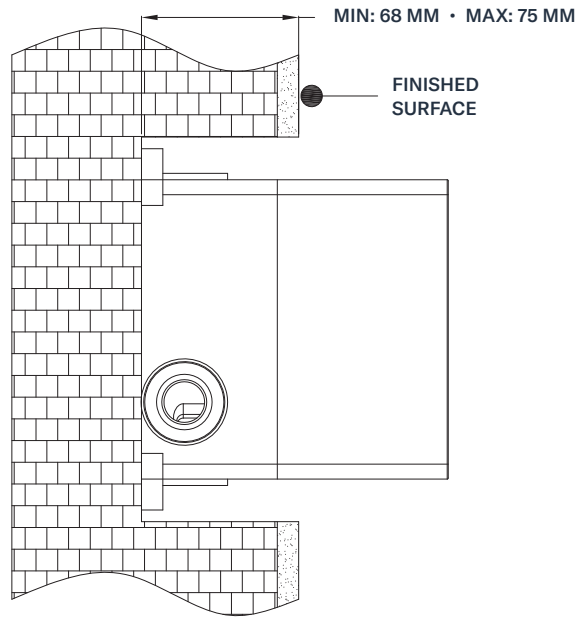
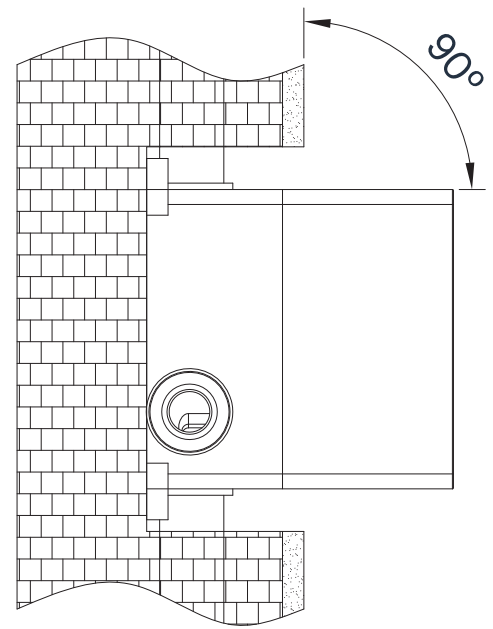


- 1 SHOWER VALVE UNIVERSAL CONCEALED BOX
- 2 INSTALLATION GUIDE
- 3 ALLEN KEY

MEASUREMENTS IN MM

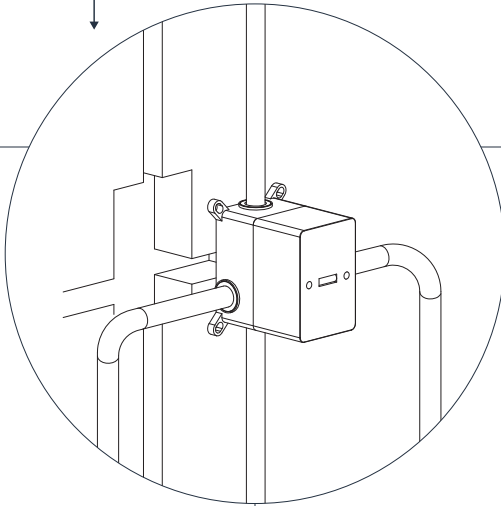


A**C****B**

- 1 TURN OFF THE WATER SUPPLY. THE CONCEALED BOX NEEDS TO BE INSTALLED WITHIN A RANGE OF 68-75MM IN DEPTH FROM THE FINISHED SURFACE.
- 2 PLACE THE CONCEALED BOX ON THE WALL WHERE IT NEEDS TO BE INSTALLED AND MARK THE FIXING HOLES USING THE BOX AS A GUIDE.
- 3 REMOVE BOX AND DRILL THE REQUIRED HOLES TO FIX THE BOX ONTO THE WALL. ALWAYS TAKING INTO CONSIDERATION THE PIPE LENGTHS.

- 4 BEFORE INSTALLING THE CONCEALED BOX, FLUSH THE PIPES IN ORDER TO ELIMINATE ANY IMPURITIES, SAND AND MUD TO PREVENT BLOCKAGE.
- 5 CARRY OUT A HIGH PRESSURE WATER TEST TO MAKE SURE THERE IS NO PIPE LEAKAGE.
- 6 CONNECT THE OUTLET AND INLET PIPE TO THE CONCEALED BOX ALWAYS PAYING ATTENTION TO THE HOT AND COLD WATER PIPE.

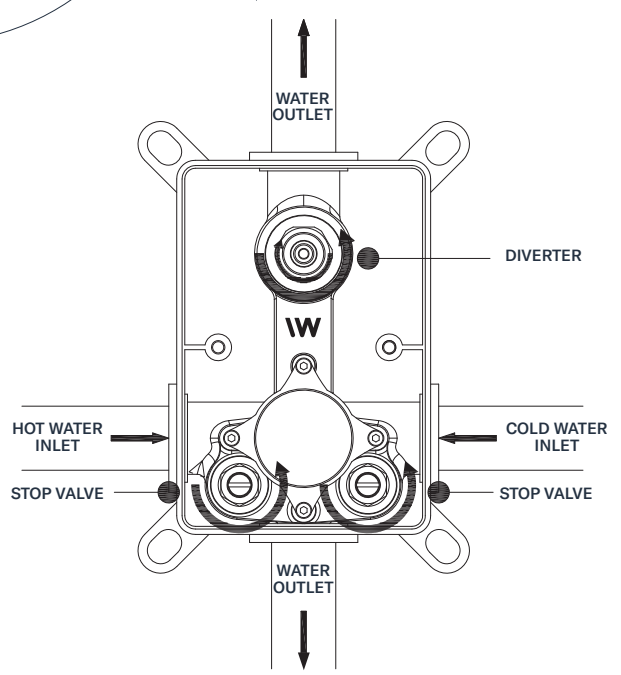
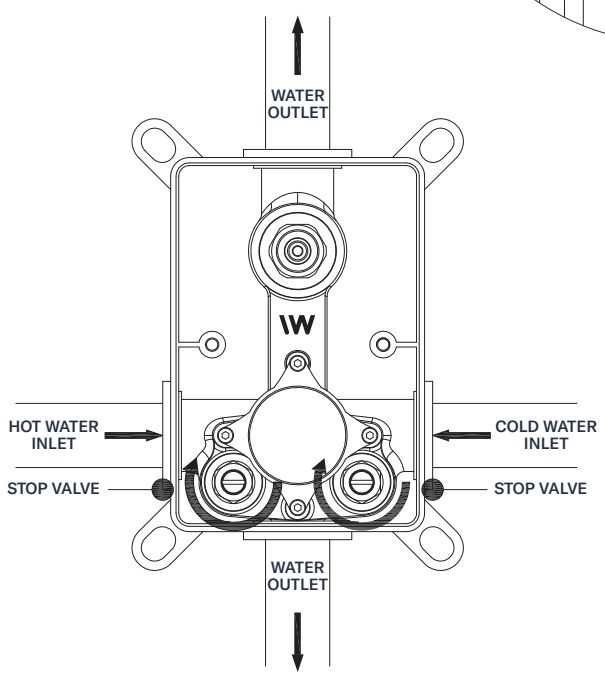
- 7 FIX THE BOX ONTO THE WALL, USE THE LEVELER WHICH IS ON THE BOX COVER TO ENSURE THAT THE VALVE IS INSTALLED VERTICALLY AND AT 90° TO THE FINISHED WALL.

**D**

- 8 USING A SCREWDRIVER REMOVE THE PROTECTIVE BOX COVER.
- 9 TURN OFF THE STOP VALVE AS PER THE DIRECTION INDICATED IN THE DRAWING.
- 10 TURN ON THE WATER SUPPLY AND CARRY OUT A WATER LEAKAGE TEST.

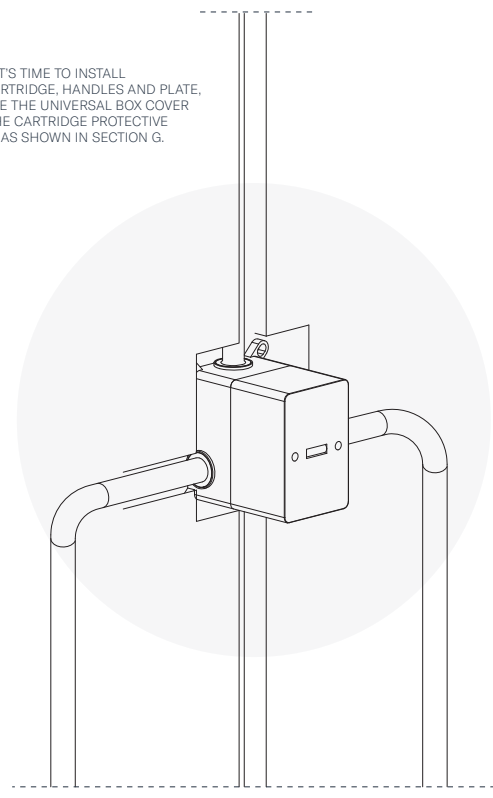
E

- 11 AFTER CARRYING OUT THE WATER LEAKAGE TEST TURN OFF THE STOP VALVES AS PER THE DIRECTION INDICATED IN THE DRAWING.
- 12 TURN THE DIVERTER TO CHECK FOR LEAKAGE AT THE OUTLET CONNECTION POINTS.
- 13 ONCE ALL THE TESTING HAS BEEN CARRIED OUT REPLACE THE UNIVERSAL VALVE BOX COVER TO PROTECT THE VALVE FROM DAMAGE DURING THE BUILD.

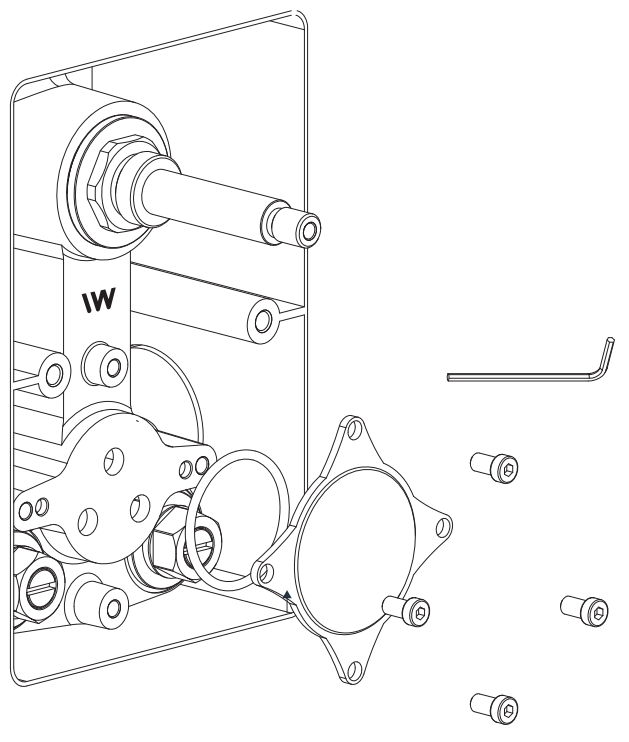


F

14 ONCE IT'S TIME TO INSTALL THE CARTRIDGE, HANDLES AND PLATE, REMOVE THE UNIVERSAL BOX COVER AND THE CARTRIDGE PROTECTIVE COVER AS SHOWN IN SECTION G.

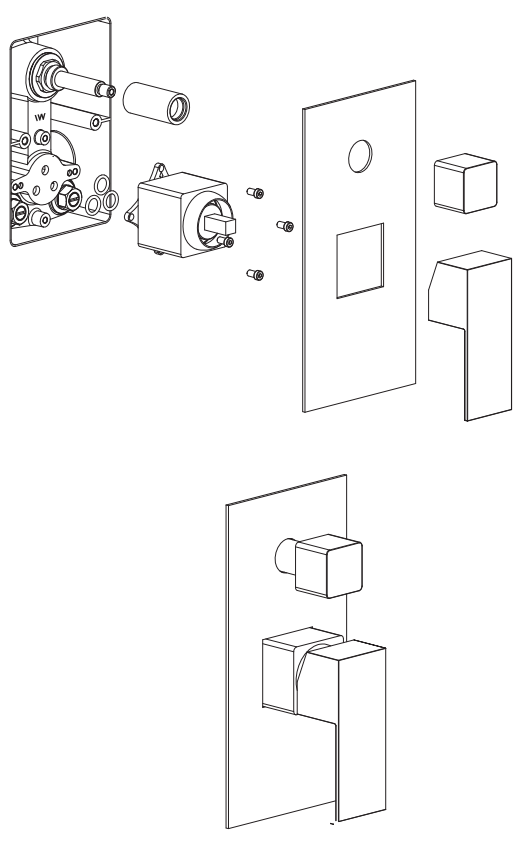


G



H

15 CONNECT THE CARTRIDGE UNIT TO THE VALVE AS PER DIAGRAM, ADD THE PANELS, THE HANDLES AND YOU'RE READY TO GO! ENJOY.



IWTM
INTERNATIONAL
WATER & WELLNESS