

PRODUCT DESCRIPTION:

SPECIFICATION:

1. AFTER YOU OPEN THE PACKAGE, PLEASE CHECK THE PHYSICAL PIECE AND CORRESPONDING ACCESSORIES.
2. THE PICTURE IS ONLY FOR REFERENCE.
3. ACCESSORIES ARE SUBJECT TO CHANGE WITHOUT AFFECTING USE.

INSTALLATION NOTES:

THE LIST OF PRODUCTS IS AS FOLLOWS: PLEASE REFER TO THE FIGURE ON THE RIGHT

NO	NAME	QTY	MATERIAL	REMARK
01	MIXED WATER OUTLET NOZZLE	1	CU	INCLUDED JOINT RING
02	BODY FOR HOT INLET	1	CU	
03	BODY FOR COLD INLET	2	S.S	RED/BLUE
04	HOSE	1	S.S	

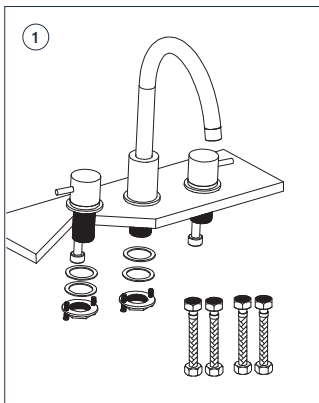
IMPORTANT TIPS:

1. A) PRESSURE: UNDER THE PRESSURE 0.1 ± 0.01 MPA, SPOUT WITH ATTACHMENT FOR BASIN MIXER, SINK & KITCHEN MIXER, FLOW RATE ≤ 0.1 L/S.
B) PRESSURE: UNDER THE PRESSURE 0.3 ± 0.02 MPA, SHOWER MIXER, FLOW RATE ≥ 0.33 L/S, BASIN MIXER, BIDET, SINK & HEADSHOWER, FLOW RATE ≥ 0.15 L/S
2. RECOMMENDED WATER INLET TEMPERATURE 4° - 80° .

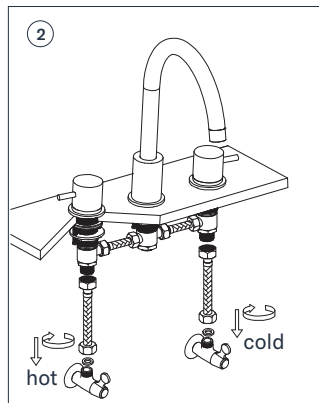
NOTES:

1. BE SURE TO REMOVE IMPURITIES AND SLUDGE FROM PRE-BURIED PIPES BEFORE INSTALLING FAUCETS.
2. AFTER INSTALLING THE FAUCET, PLEASE CHECK THAT EVERYTHING IS TIGHTLY CONNECTED AND ENSURE THAT THERE ARE NO LEAKS.
3. WHEN USING, PAY ATTENTION TO WATER HOSE SHOULD NOT BE IN TORSION TO AVOID HOSE RUPTURE.

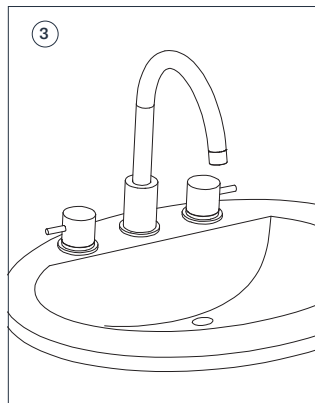
INSTALLATION STEPS:



ACCORDING TO ABOVE DRAWING, BEFORE THE HOSE IS INSTALLED, DISTINGUISH LEFT RED (HOT WATER) AND RIGHT BLUE (COLD WATER), INSTALLED ONE OF INLET PIPE.

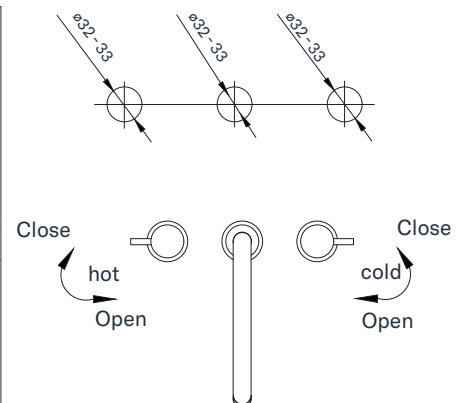
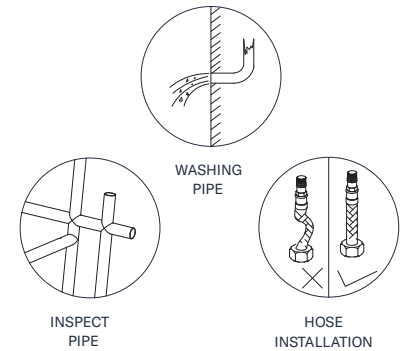
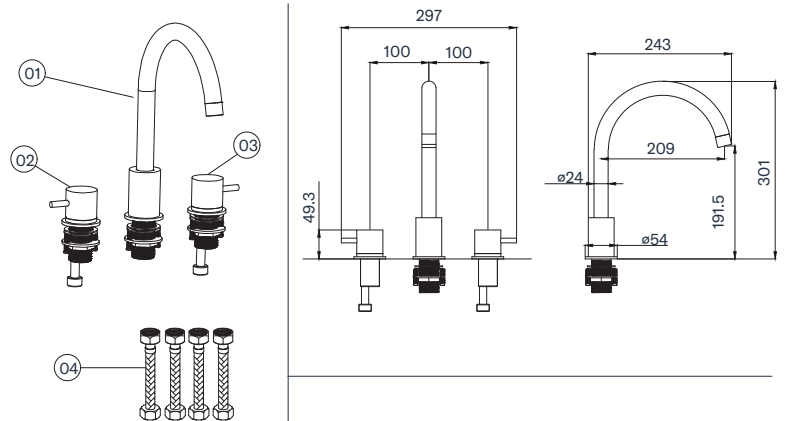


A) ACCORDING TO ABOVE DRAWING, INSERT THE INLET PIPE FROM FIXING NUT, CONNECTED WELL WITH BODY AND FIXATION. B) CONNECTED WELL BETWEEN INLET AND ANGEL VALVE AND FIXATION, PAY ATTENTION ON DIRECTION FOR COLD/HOT. C) ANGLE VALVE FOR CUSTOMER'S OWN CHOICE.



AFTER INSTALLATION, TESTING WHETHER EACH CONNECTION IS LEAKING OR NOT.

DIMENSIONAL DRAWING:



Spout working picture

