

PRODUCT DESCRIPTION:

SPECIFICATION:

1. AFTER YOU OPEN THE PACKAGE, PLEASE CHECK THE PHYSICAL PIECE AND CORRESPONDING ACCESSORIES.
2. THE PICTURE IS ONLY FOR REFERENCE.
3. ACCESSORIES ARE SUBJECT TO CHANGE WITHOUT AFFECTING USE.

INSTALLATION NOTES:

THE LIST OF PRODUCTS IS AS FOLLOWS: PLEASE REFER TO THE FIGURE ON THE RIGHT

NO	NAME	QTY	MATERIAL	REMARK
01	FAUCET BODY	1	CU	INCLUDED JOINT RING
02	FIXING SET	1	CU	
03	HOT/COLD INLET PIPE	2	S.S	RED/BLUE

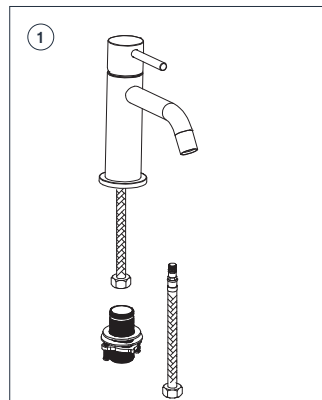
IMPORTANT TIPS:

1. PRESSURE: UNDER THE PRESSURE 0.1 ± 0.01 MPA, SPOUT WITH ATTACHMENT FOR BASIN MIXER, SINK & KITCHEN MIXER, FLOW RATE ≤ 0.1 L/S
2. RECOMMENDED WATER INLET TEMPERATURE 4° - 80° .

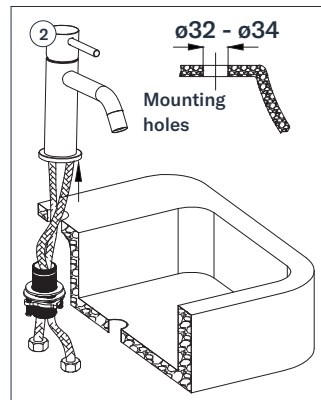
NOTES:

1. BE SURE TO REMOVE IMPURITIES AND SLUDGE FROM PRE-BURIED PIPES BEFORE INSTALLING FAUCETS.
2. AFTER INSTALLING THE FAUCET, PLEASE CHECK THAT EVERYTHING IS TIGHTLY CONNECTED AND ENSURE THAT THERE ARE NO LEAKS.

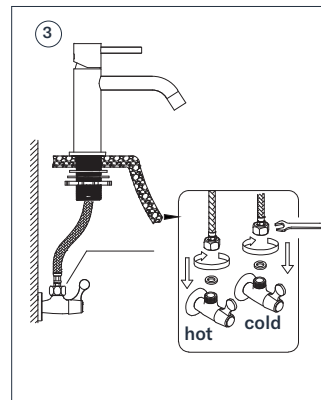
INSTALLATION STEPS:



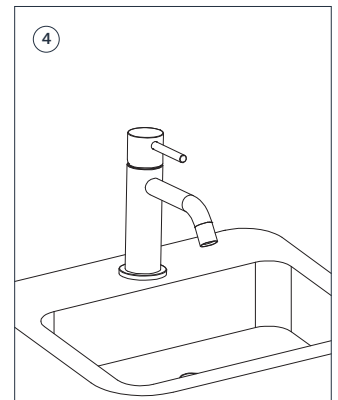
ACCORDING TO THE ABOVE DRAWING, BEFORE THE HOSE IS INSTALLED, DISTINGUISH LEFT RED (HOT WATER) AND RIGHT BLUE (COLD WATER).



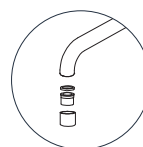
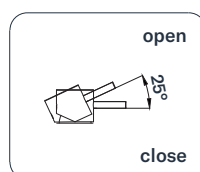
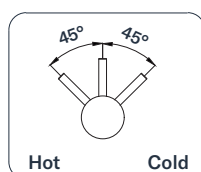
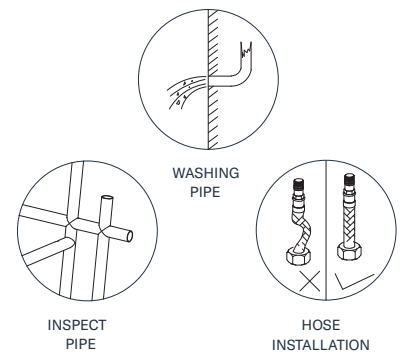
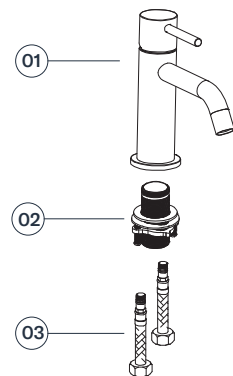
CONNECT THE WATER NOZZLE TO THE BASIN ACCORDING TO THE DRAWING, COMPLETE THE FIXING SET, AND PUT THE SECOND INLET PIPE INTO THE MAIN BODY



CONNECT THE TWO INLET HOSES TO THE ANGLE VALVE, WHICH FROM THE MAIN BODY OF THE FAUCET, ACCORDING TO THE "RED", "BLUE" INDICATED ON THE FAUCET HANDLE, AND CONNECT THE HOT AND COLD WATER SEPARATELY.



AFTER INSTALLATION, SWING THE OUTLET PIPE FROM SIDE TO SIDE AND TEST WHETHER EACH CONNECTION IS LEAKING OR NOT.



PRODUCT DESCRIPTION:

SPECIFICATION:

1. AFTER YOU OPEN THE PACKAGE, PLEASE CHECK THE PHYSICAL PIECE AND CORRESPONDING ACCESSORIES.
2. THE PICTURE IS ONLY FOR REFERENCE.
3. ACCESSORIES ARE SUBJECT TO CHANGE WITHOUT AFFECTING USE.

INSTALLATION NOTES:

THE LIST OF PRODUCTS IS AS FOLLOWS: PLEASE REFER TO THE FIGURE ON THE RIGHT

NO	NAME	QTY	MATERIAL	REMARK
01	FAUCET BODY	1	CU	INCLUDED JOINT RING
02	FIXING SET	1	CU	
03	HOT/COLD INLET PIPE	2	S.S	RED/BLUE
04	SPARE PARTS	1	S.S	

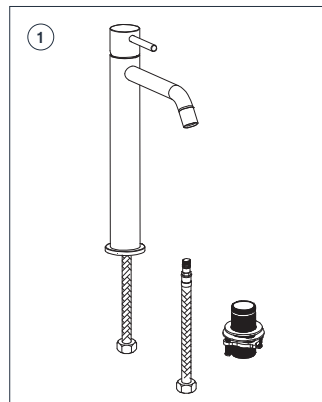
IMPORTANT TIPS:

1. PRESSURE: UNDER THE PRESSURE 0.1 ± 0.01 MPA, SPOUT WITH ATTACHMENT FOR BASIN MIXER, SINK & KITCHEN MIXER, FLOW RATE ≤ 0.1 L/S
2. RECOMMENDED WATER INLET TEMPERATURE 4° - 80° .

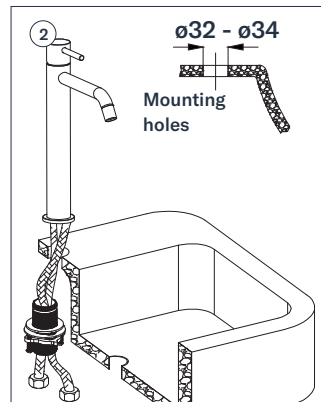
NOTES:

1. BE SURE TO REMOVE IMPURITIES AND SLUDGE FROM PRE-BURIED PIPES BEFORE INSTALLING FAUCETS.
2. AFTER INSTALLING THE FAUCET, PLEASE CHECK THAT EVERYTHING IS TIGHTLY CONNECTED AND ENSURE THAT THERE ARE NO LEAKS.
3. WHEN USING, PAY ATTENTION TO WATER HOSE SHOULD NOT BE IN TORSION TO AVOID HOSE RUPTURE.

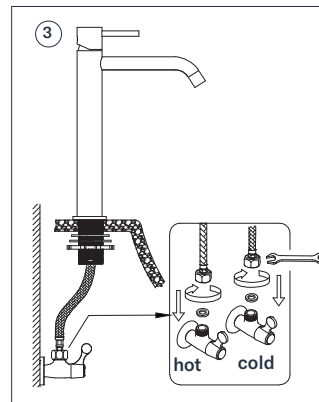
INSTALLATION STEPS:



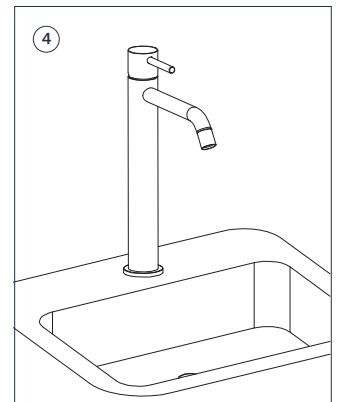
ACCORDING TO THE ABOVE DRAWING, BEFORE THE HOSE IS INSTALLED, DISTINGUISH LEFT RED (HOT WATER) AND RIGHT BLUE (COLD WATER).



CONNECT THE WATER NOZZLE TO THE BASIN ACCORDING TO THE DRAWING, COMPLETE THE FIXING SET, AND PUT THE SECOND INLET PIPE INTO THE MAIN BODY



CONNECT THE TWO INLET HOSES TO THE ANGLE VALVE, WHICH FROM THE MAIN BODY OF THE FAUCET, ACCORDING TO THE "RED", "BLUE" INDICATED ON THE FAUCET HANDLE, AND CONNECT THE HOT AND COLD WATER SEPARATELY.



AFTER INSTALLATION, SWING THE OUTLET PIPE FROM SIDE TO SIDE AND TEST WHETHER EACH CONNECTION IS LEAKING OR NOT.

