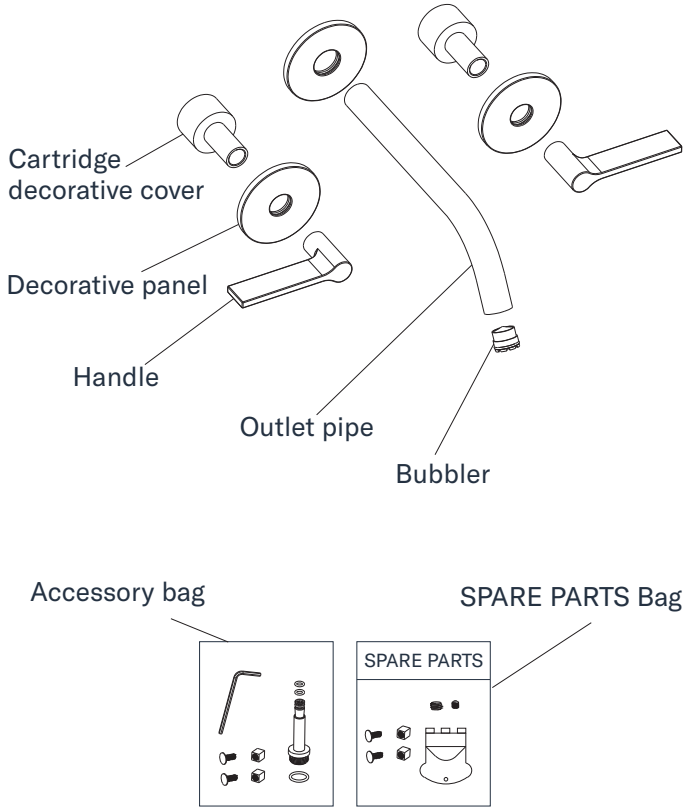
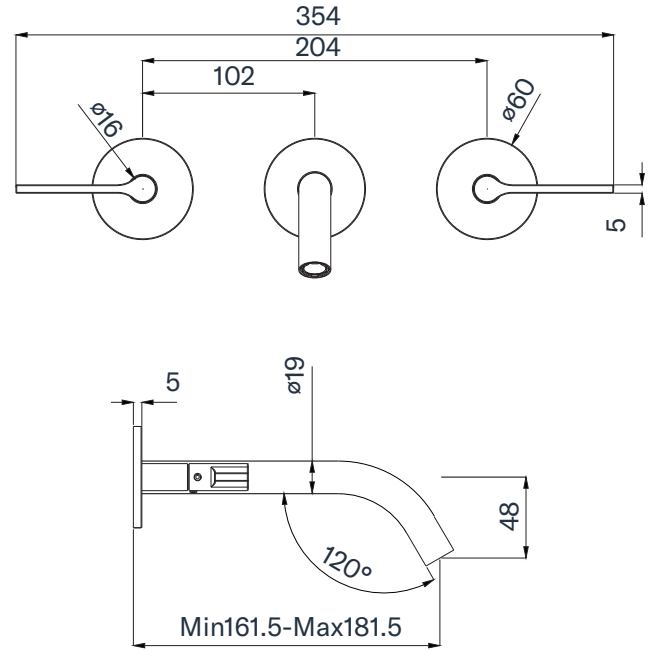




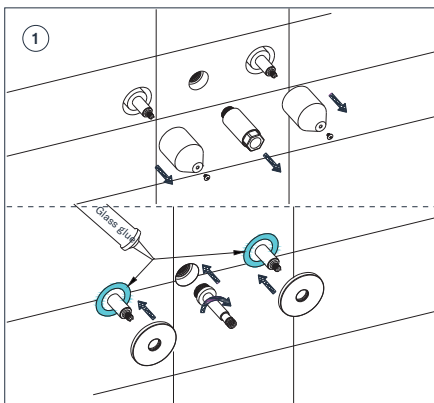
Delta Wall Widespread DEL-WWS Installation Manual



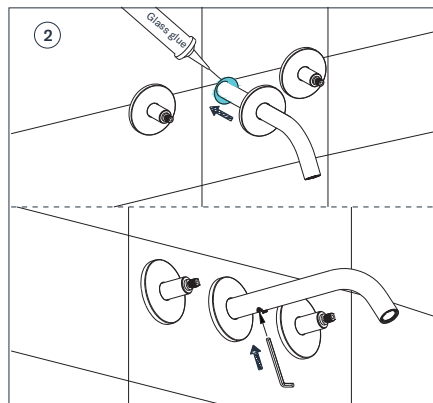
DIMENSIONAL DRAWING:



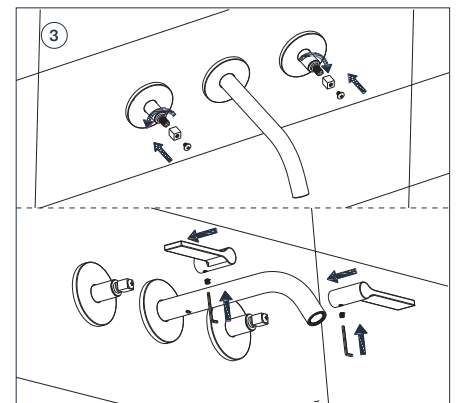
INSTALLATION STEPS:



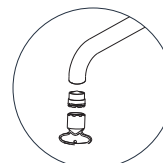
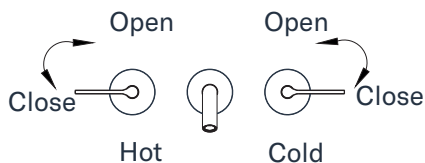
1 REMOVE THE COVER. APPLY GLASS GLUE TO THE GAP BETWEEN THE VALVE BODY AND THE MOUNTING HOLE, INSTALL THE HANDLE DECORATIVE COVER AND INSTALL THE WATER OUTLET CONNECTING ROD.



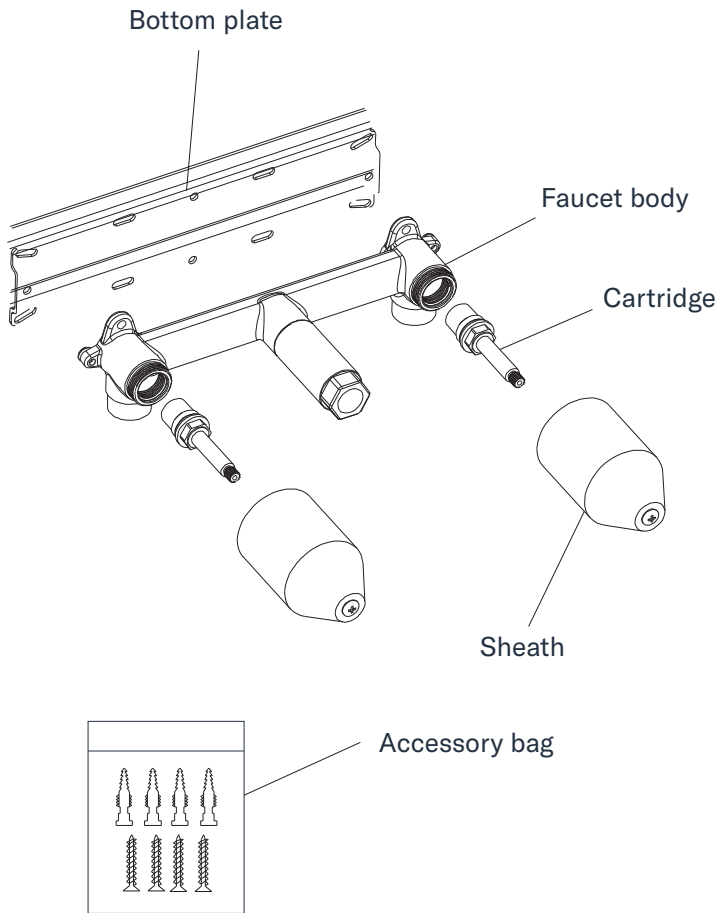
2 INSTALL THE WATER OUTLET DECORATIVE COVER ONTO THE WATER OUTLET NOZZLE, AND THEN INSTALL THE WATER OUTLET NOZZLE ONTO THE CONNECTING ROD. TIGHTEN THE SCREW AT THE BOTTOM OF THE WATER OUTLET NOZZLE.



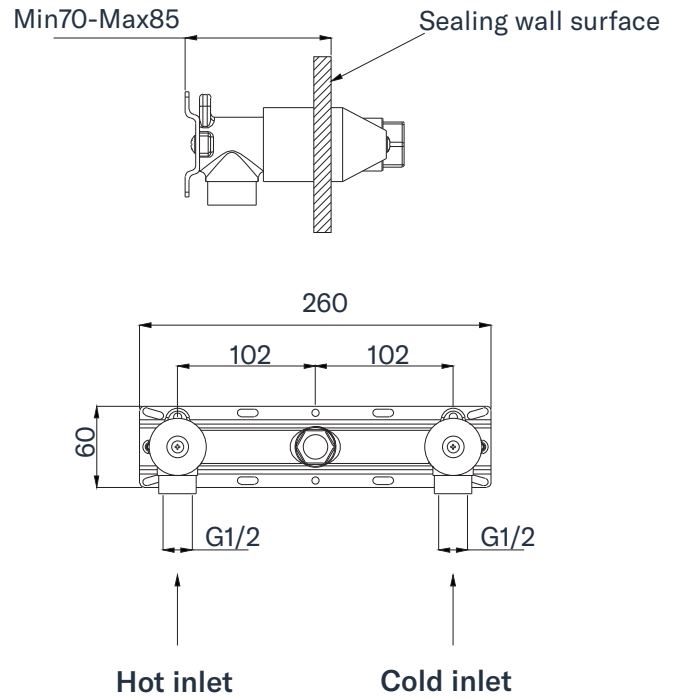
3 ROTATE THE HOT AND COLD VALVE CORE IN THE DIRECTION SHOWN IN THE DIAGRAM, THEN INSTALL THE CONNECTOR, AND FINALLY INSTALL THE HANDLE. TIGHTEN THE SCREWS AT THE BOTTOM OF THE HANDLE.



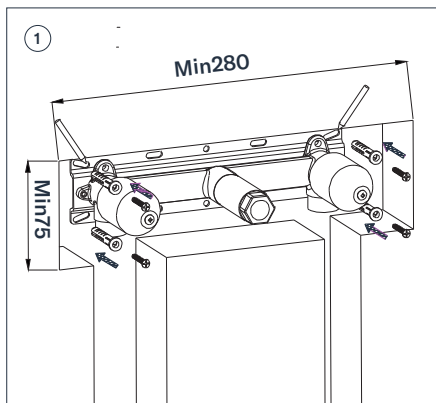
Picture 1
spout working picture



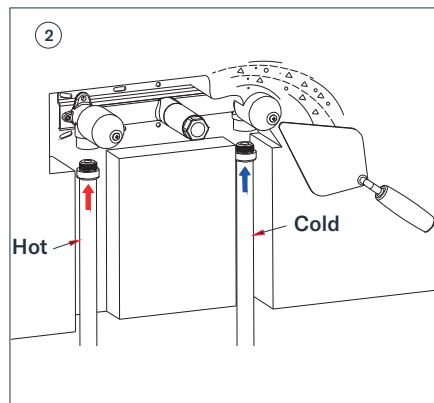
DIMENSIONAL DRAWING:



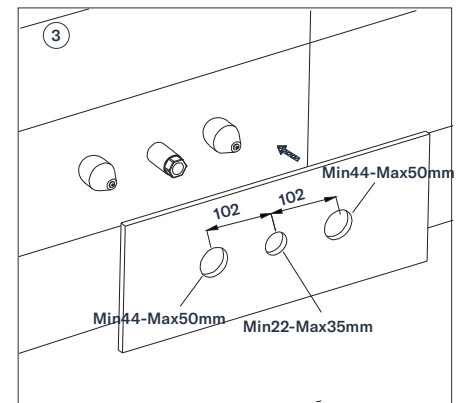
INSTALLATION STEPS:



INSTALL THE MAIN BODY IN A SLOT ON THE WALL AS SHOWN IN THE DIAGRAM, WITH A MINIMUM SIZE OF 280 * 75MM. THEN, USE SCREWS TO HORIZONTALLY INSTALL THE MAIN BODY INTO THE INSTALLATION SLOT.



AS SHOWN IN THE DIAGRAM, CONNECT THE COLD AND HOT WATER INLET PIPES, OPEN THE VALVE FOR TESTING AFTER CONNECTING THE PIPES, ENSURE THAT THERE IS NO LEAKAGE, AND THEN SEAL THE WALL.



AFTER SEALING THE WALL, INSTALL CERAMIC TILES.