

> SIZES IN MM.

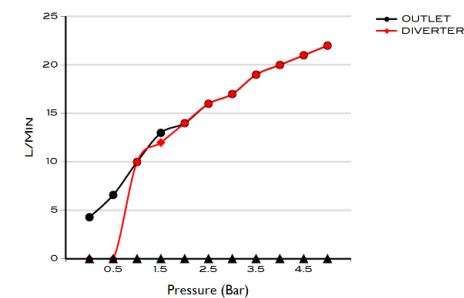


CODE & COLOUR

- AR2R-TSC-POL ● POLISHED CHROME
- AR2R-TSC-BRU ● BRUSHED NICKLED
- AR2R-TSC-SS ● STAINLESS STEEL
- AR2R-TSC-GRA ● GRAPHITE
- AR2R-TSC-BLA ● BLACK MATT CHROME
- AR2R-TSC-ROS ● ROSE GOLD
- AR2R-TSC-GOL ● GOLD
- AR2R-TSC-BRA ● BRASS
- AR2R-TSC-ABR ● ANTIQUE BRASS

TECHNICAL INFORMATION

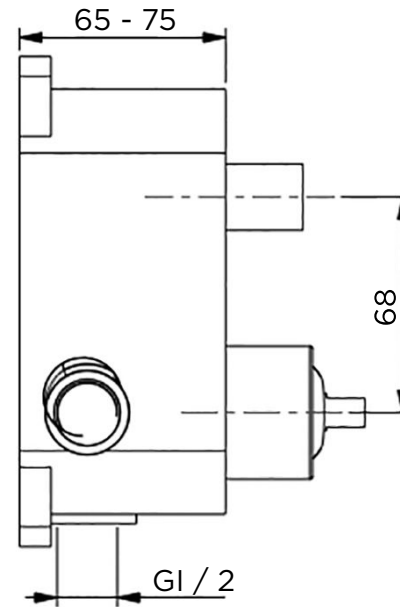
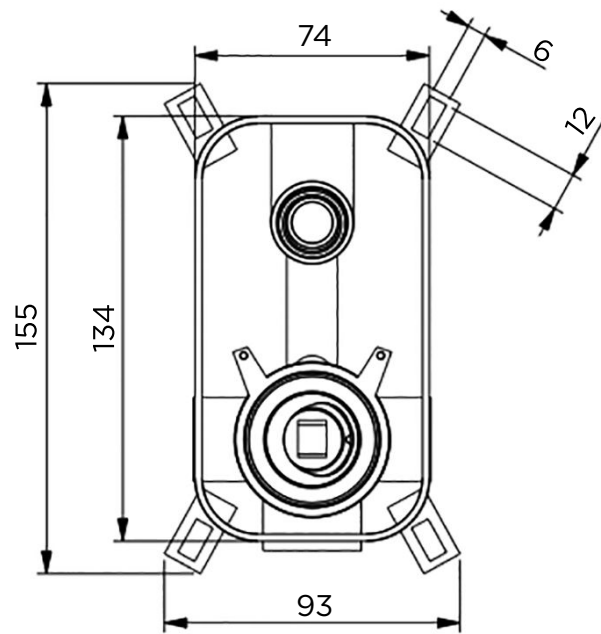
COLLECTION: WELLNESS / SHOWER CONTROL
 PRODUCT TYPE: ARC 2 R THERMO
 WALL MOUNTED VALVE
 TURN DIVERTER FOR 2 OUTLES
 MATERIAL: BRASS
 CONNECTION SIZE: 1/2"
 WATER PRESSURE : 0.2-5 BAR
 RMP: 1.0 BAR MP



SCOPE OF DELIVERY

- VALVE · EXTERNAL PLATE
- HANDLE · FIXING KIT · DIVERTER HANDLE
- INSTALLATION GUIDE
- CARE & MAINTENANCE MANUAL





INTERNATIONAL
WATER & WELLNESS

PRODUCT

Shower Controls

COLLECTION

Wellness

REFERENCE

Arc 2 R Thermo / Universal Box