

> SIZES IN MM.



CODE & COLOUR

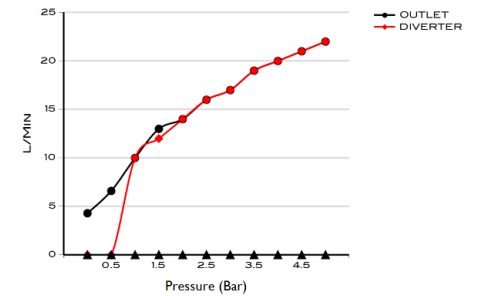
- AR2-S/C-POL ● POLISHED CHROME
- AR2-S/C-BRU ● BRUSHED NICKLED
- AR2-S/C-SS ● STAINLESS STEEL
- AR2-S/C-GRA ● GRAPHITE
- AR2-S/C-BLA ● BLACK MATT CHROME
- AR2-S/C-ROS ● ROSE GOLD
- AR2-S/C-GOL ● GOLD
- AR2-S/C-BRA ● BRASS
- AR2-S/C-ABR ● ANTIQUE BRASS

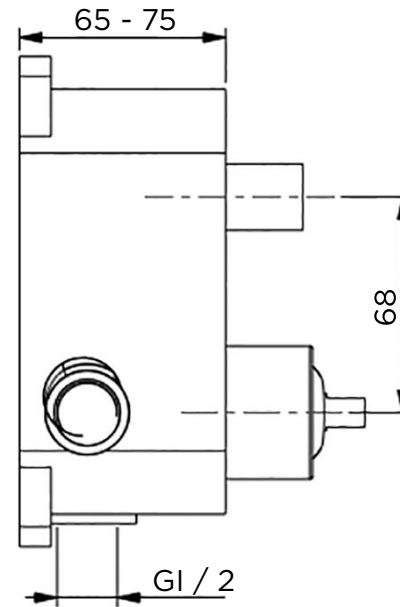
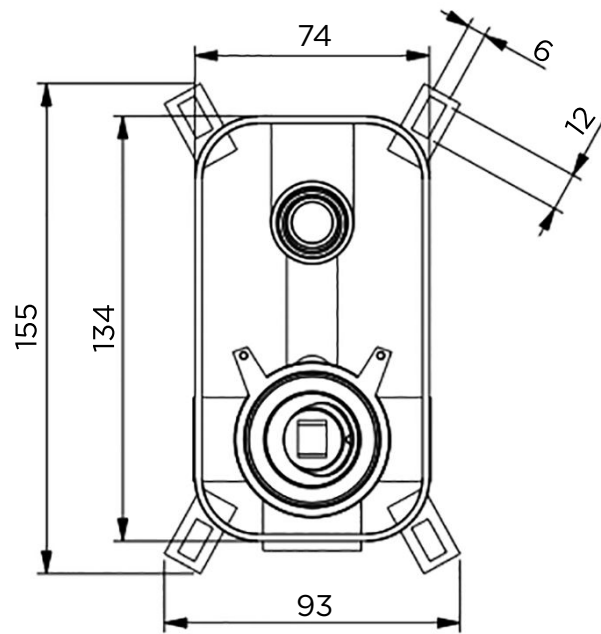
SCOPE OF DELIVERY

- VALVE · EXTERNAL PLATE
- HANDLE · FIXING KIT · DIVERTER HANDLE
- INSTALLATION GUIDE
- CARE & MAINTENANCE MANUAL

TECHNICAL INFORMATION

COLLECTION: WELLNESS / SHOWER CONTROL
 PRODUCT TYPE: ARC 2
 WALL MOUNTED VALVE
 TURN DIVERTER FOR 2 OUTLES
 MATERIAL: BRASS
 CONNECTION SIZE: 1/2"
 WATER PRESSURE : 0.2-5 BAR
 RMP: 1.0 BAR MP





INTERNATIONAL
WATER & WELLNESS

PRODUCT

Shower Controls

COLLECTION

Wellness

REFERENCE

Arc 2 / Universal Box