

> SIZES IN MM.



CODE & COLOUR

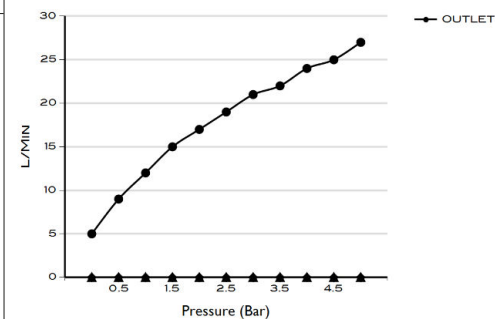
- ASQ-S/C-POL ● POLISHED CHROME
- ASQ-S/C-BRU ● BRUSHED NICKLED
- ASQ-S/C-SS ● STAINLESS STEEL
- ASQ-S/C-GRA ● GRAPHITE
- ASQ-S/C-BLA ● BLACK MATT CHROME
- ASQ-S/C-ROS ● ROSE GOLD
- ASQ-S/C-GOL ● GOLD
- ASQ-S/C-BRA ● BRASS
- ASQ-S/C-ABR ● ANTIQUE BRASS

SCOPE OF DELIVERY

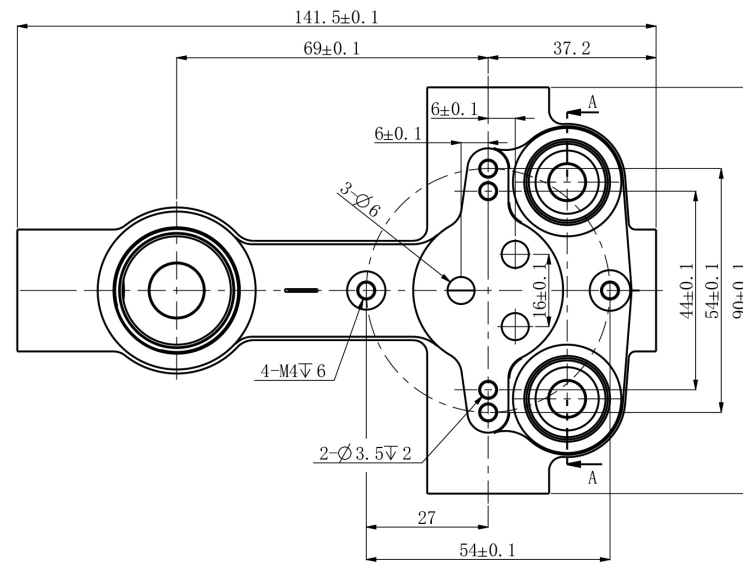
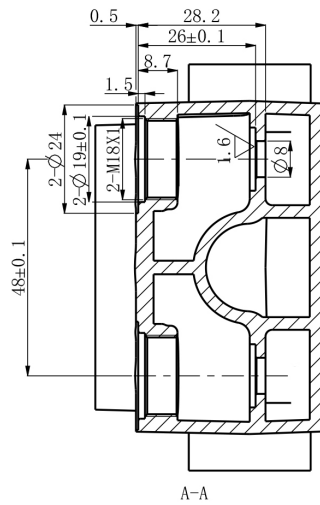
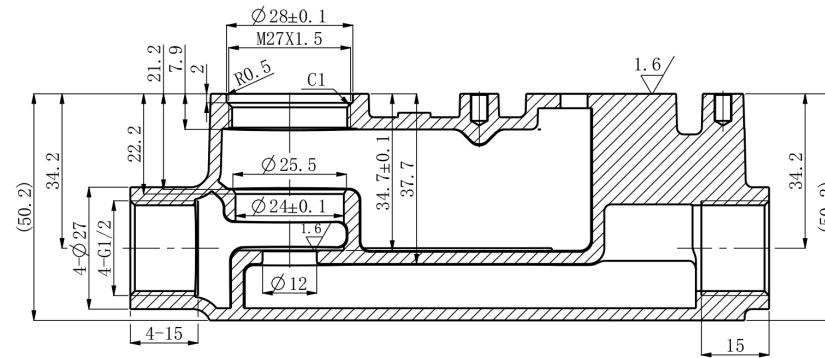
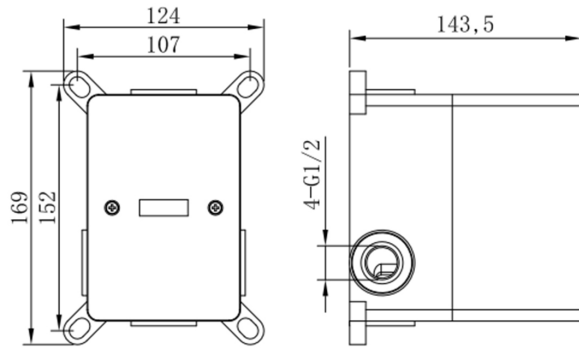
VALVE · EXTERNAL PLATE
HANDLE · FIXING KIT · INSTALLATION GUIDE
CARE & MAINTENANCE MANUAL

TECHNICAL INFORMATION

COLLECTION: WELLNESS / SHOWER CONTROL
PRODUCT TYPE: AVA SQUARE
WALL MOUNTED SINGLE OUTLET VALVE
MATERIAL: BRASS
CONNECTION SIZE: 1/2"
WATER PRESSURE : 0.2-5 BAR
RMP: 0.5 BAR MP



iwandw.com



PRODUCT
Shower Controls

COLLECTION
Wellness

REFERENCE
AVA SC 1 Way Square