

> SIZES IN MM.

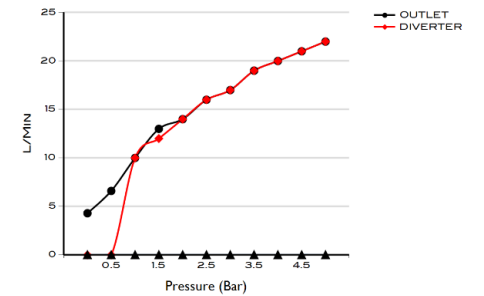


CODE & COLOUR

- AS2-S/C-POL ● POLISHED CHROME
- AS2-S/C-BRU ● BRUSHED NICKLED
- AS2-S/C-SS ● STAINLESS STEEL
- AS2-S/C-GRA ● GRAPHITE
- AS2-S/C-BLA ● BLACK MATT CHROME
- AS2-S/C-ROS ● ROSE GOLD
- AS2-S/C-GOL ● GOLD
- AS2-S/C-BRA ● BRASS
- AS2-S/C-ABR ● ANTIQUE BRASS

TECHNICAL INFORMATION

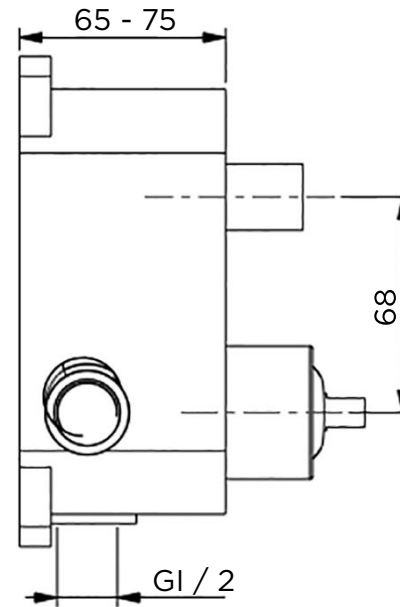
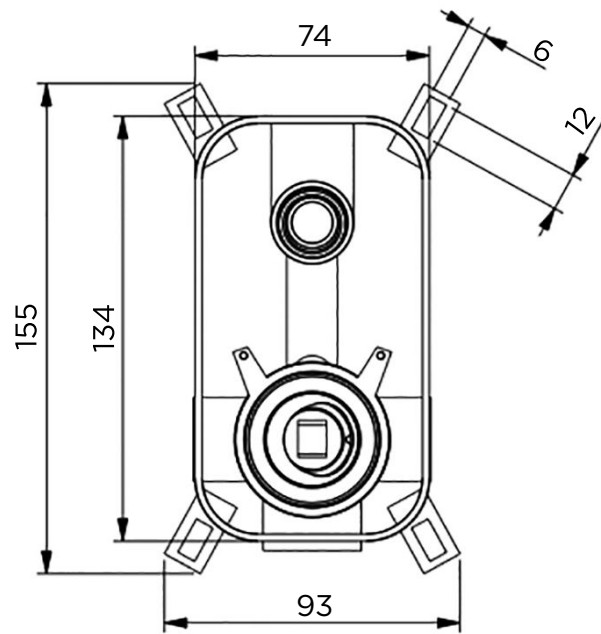
COLLECTION: WELLNESS / SHOWER CONTROL
 PRODUCT TYPE: AVA 2 SQUARE
 WALL MOUNTED VALVE
 TURN DIVERTER FOR 2 OUTLES
 MATERIAL: BRASS
 CONNECTION SIZE: 1/2"
 WATER PRESSURE : 0.2-5 BAR
 RMP: 1.0 BAR MP



SCOPE OF DELIVERY

- VALVE · EXTERNAL PLATE
- HANDLE · FIXING KIT · DIVERTER HANDLE
- INSTALLATION GUIDE
- CARE & MAINTENANCE MANUAL





INTERNATIONAL
 WATER & WELLNESS

PRODUCT

Shower Controls

COLLECTION

Wellness

REFERENCE

Ava 2 Square / Universal Box