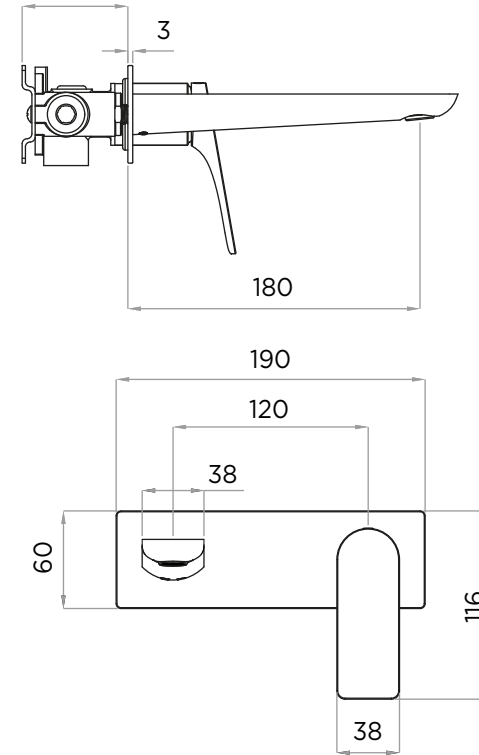




Min65-Max85



> SIZES IN MM.



CODE & COLOUR

GRA-WAL-POL	●	POLISHED CHROME
GRA-WAL-BRU	●	BRUSHED NICKLED
GRA-WAL-SS	●	STAINLESS STEEL
GRA-WAL-GRA	●	GRAPHITE
GRA-WAL-BLA	●	BLACK MATT CHROME
GRA-WAL-ROS	●	ROSE GOLD
GRA-WAL-GOL	●	GOLD
GRA-WAL-BRA	●	BRASS
GRA-WAL-ABR	●	ANTIQUÉ BRASS

SCOPE OF DELIVERY

CONCEALED BASIN MIXER, HANDLE, SPOUT,  
INSTALLATION GUIDE, CARE & MAINTENANCE GUIDE.

TECHNICAL INFORMATION

PRODUCT: GRACE WALL  
 PRODUCT TYPE: CONCEALED BASIN MIXER  
 MATERIAL: BRASS  
 CONNECTION SIZE: 1/2"  
 WATER PRESSURED: 0.2-5 BAR  
 RMP: 0.5 BAR LP  
 -  
 CONCEALED BASIN MIXER  
 WALL MOUNTED  
 SINGLE LEVER  
 WITH WATER FLOW AERATOR

