

> SIZES IN MM.



CODE & COLOUR

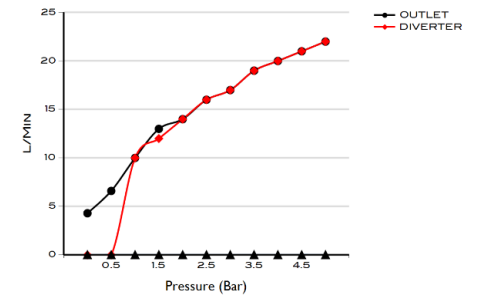
MO2-S/C-POL	●	POLISHED CHROME
MO2-S/C-BRU	●	BRUSHED NICKLED
MO2-S/C-SS	●	STAINLESS STEEL
MO2-S/C-GRA	●	GRAPHITE
MO2-S/C-BLA	●	BLACK MATT CHROME
MO2-S/C-ROS	●	ROSE GOLD
MO2-S/C-GOL	●	GOLD
MO2-S/C-BRA	●	BRASS
MO2-S/C-ABR	●	ANTIQUE BRASS

SCOPE OF DELIVERY

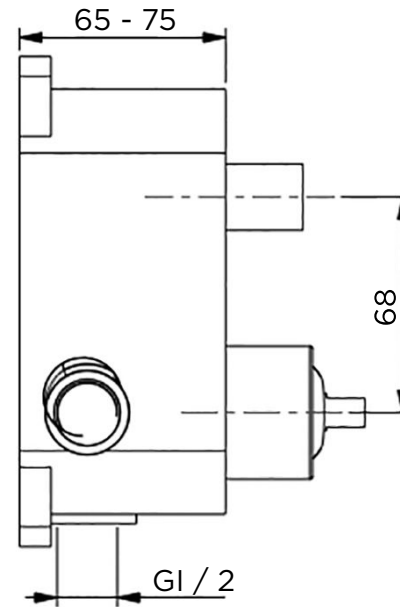
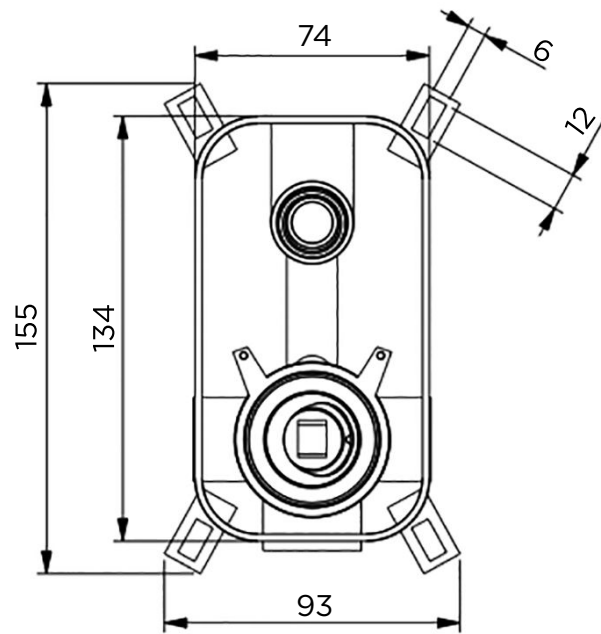
VALVE · EXTERNAL PLATE
HANDLE · FIXING KIT · DIVERTER HANDLE
INSTALLATION GUIDE
CARE & MAINTENANCE MANUAL

TECHNICAL INFORMATION

COLLECTION: WELLNESS / SHOWER CONTROL
PRODUCT TYPE: MOHS 2
WALL MOUNTED VALVE
TURN DIVERTER FOR 2 OUTLES
MATERIAL: BRASS
CONNECTION SIZE: 1/2"
WATER PRESSURE : 0.2-5 BAR
RMP: 1.0 BAR MP



iwandw.com



PRODUCT

COLLECTION

REFERENCE

Shower Controls

Wellness

Mohs 2 / Universal Box