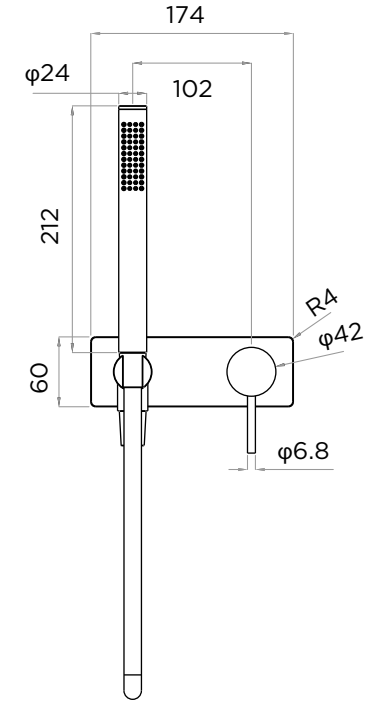
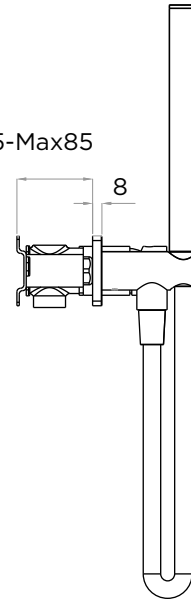




Min65-Max85



> SIZES IN MM.



CODE & COLOUR

A2S1SCBP-HS-POL	●	POLISHED CHROME
A2S1SCBP-HS-BRU	●	BRUSHED NICKLED
A2S1SCBP-HS-SS	●	STAINLESS STEEL
A2S1SCBP-HS-GRA	●	GRAPHITE
A2S1SCBP-HS-BLA	●	BLACK MATT CHROME
A2S1SCBP-HS-ROS	●	ROSE GOLD
A2S1SCBP-HS-GOL	●	GOLD
A2S1SCBP-HS-BRA	●	BRASS
A2S1SCBP-HS-ABR	●	ANTIQUÉ BRASS

SCOPE OF DELIVERY

INTERNAL VALVE, EXTERNAL PLATE, HANDLE, HAND SHOWER,
INSTALLATION GUIDE, CARE & MAINTENANCE GUIDE

TECHNICAL INFORMATION

PRODUCT: ARC 2.0S ONE WAY SHOWER CONTROL
 PRODUCT TYPE: WALL MOUNTED SINGLE
 FUNCTION HAND SHOWER CONTROL, W/BACK
 PLATE
 MATERIAL: BRASS
 CONNECTION SIZE: 1/2"
 WATER PRESSURED: 0.2-5 BAR
 RMP: 0.5 BAR LP
 -
 WALL MOUNTED SINGLE FUNCTION HAND
 SHOWER CONTROL WITH BACK PLATE.

