



Delta Deck Mount Widespread Installation Manual

PRODUCT DESCRIPTION:

SPECIFICATION:

1. AFTER YOU OPEN THE PACKAGE, PLEASE CHECK THE PHYSICAL PIECE AND CORRESPONDING ACCESSORIES.
2. THE PICTURE IS ONLY FOR REFERENCE.
3. ACCESSORIES ARE SUBJECT TO CHANGE WITHOUT AFFECTING USE.

INSTALLATION NOTES:

THE LIST OF PRODUCTS IS AS FOLLOWS: PLEASE REFER TO THE FIGURE ON THE RIGHT

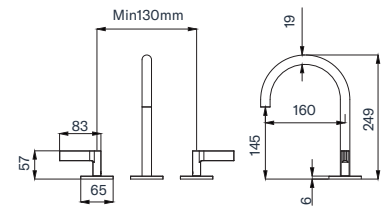
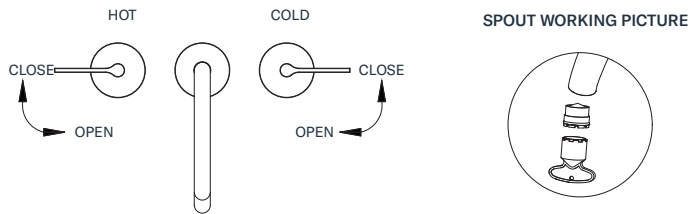
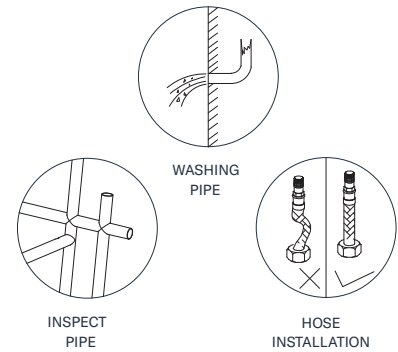
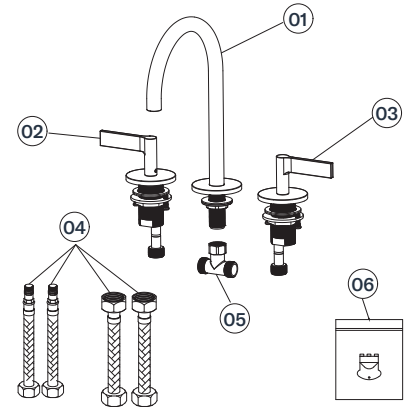
NO	NAME	QTY	MATERIAL	REMARK
01	MIXED WATER OUTLET NOZZLE	1	CU	INCLUDED JOINT RING
02	BODY FOR HOT INLET	1	CU	
03	BODY FOR COLD INLET	1	CU	
04	HOSE	4	S.S	
05	TEE PARTS	1	CU	
06	SPARE PARTS	1	ABS	

IMPORTANT TIPS:

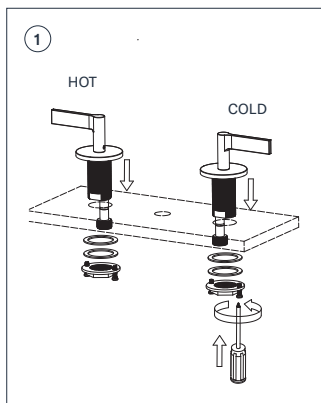
1. PRESSURE: UNDER THE PRESSURE 0.1 ± 0.01 MPA, SPOUT WITH ATTACHMENT FOR BASIN MIXER, SINK & KITCHEN MIXER, FLOW RATE ≤ 0.1 L/S
2. RECOMMENDED WATER INLET TEMPERATURE 4° - 80° .

NOTES:

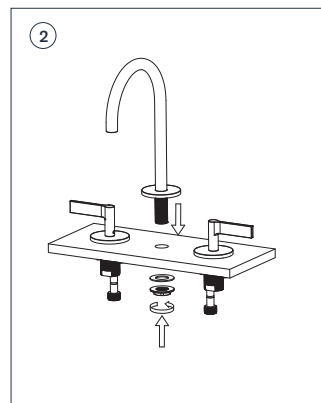
1. BE SURE TO REMOVE IMPURITIES AND SLUDGE FROM PRE-BURIED PIPES BEFORE INSTALLING FAUCETS.
2. AFTER INSTALLING THE FAUCET, PLEASE CHECK THAT EVERYTHING IS TIGHTLY CONNECTED AND ENSURE THAT THERE ARE NO LEAKS.
3. WHEN USING, PAY ATTENTION TO WATER HOSE SHOULD NOT BE IN TORSION TO AVOID HOSE RUPTURE.



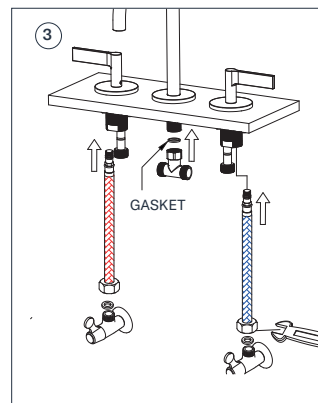
INSTALLATION STEPS:



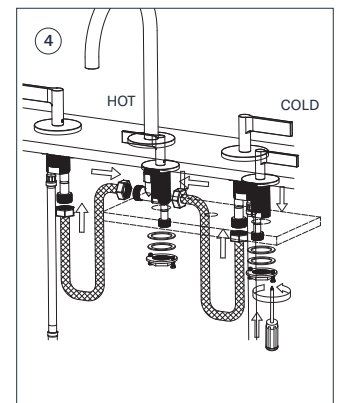
SHUT OFF WATER SUPPLIES. REMOVE OLD FAUCET. REMOVE SET SCREW AND GASKETS ON SET SCREW AND GASKETS ON THE HOT AND COLD END VALVES. PLACE COLD END VALVES. PLACE BODY THROUGH MOUNTING HOLE IN SINK. REINSTALL AND TIGHTEN SCREW AND GASKETS ON THE HOT AND COLD END VALVES. TIGHTEN TH SCREWS AT BOTH ENDS UPWARD. NOTE THAT THE MINIMUM INSTALLATION DISTANCE OF THE HOT AND COLD VALVE BODY IS 130MM.



ALIGN THE OUTLET WATER BODY WITH THE MOUNTING HOLE IN THE MIDDLE OF THE PANEL AND SINK INTO IT. PLACE THE GASKET AND NUT CLOSE TO THE OUTLET NOZZLEScrew AND TIGHTEN THE NUT.



AS SHOWN IN THE DIAGRAM, PLACE A GASKET ON THE THREE-WAY JOINT, THEN INSTALL IT ONTO THE WATER OUTLET PIPE, AND THEN CONNECT THE COLD AND HOT WATER INLET VALVE BODY AND THE COLD AND HOT WATER SUPPLY ANGLE VALVE WITH THE COLD AND HOT WATER INLET PIPE. PAY ATTENTION TO DISTINGUISHING BETWEEN HOT AND COLD DIRECTIONS.



AFTER INSTALLATION, SWING THE OUTLET PIPE FROM SIDE TO SIDE AND TEST WHETHER EACH CONNECTION IS LEAKING OR NOT.