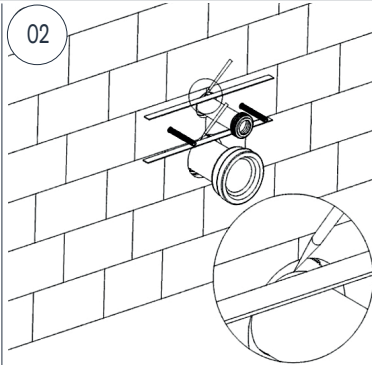


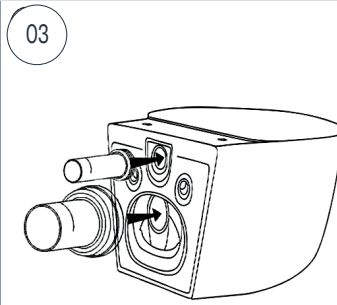
01

FULL INSERT THE STRAIGHT TUBE INTO CISTERN FLUSHING OUTLET AND DISCHARGING OUTLET.



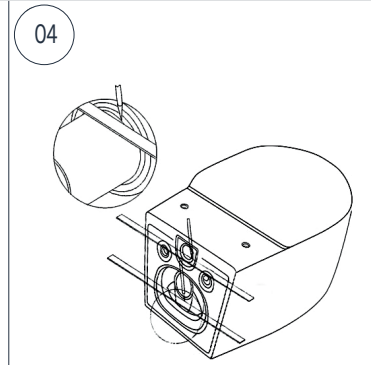
02

DRAWING THE LINES AS ABOVE PICTURE.



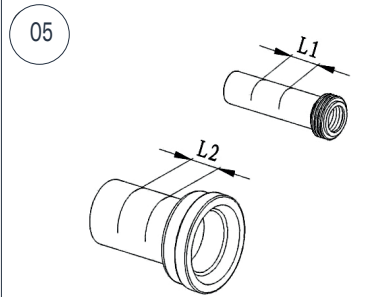
03

APPLY LUBRICANT ON RUBBER WASHERS OF STRAIGHT TUBE AND CONNECTING PIPE, THEN CERAMIC HOLES.



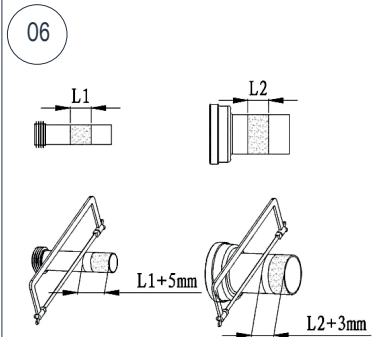
04

DRAW THE LINES AS ABOVE PICTURE.



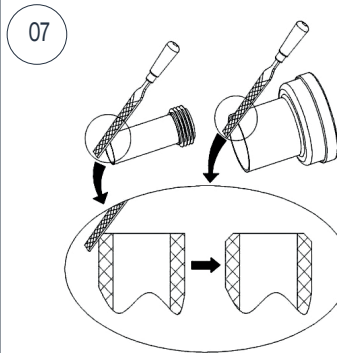
05

AS PER DRAWING, L1 IS DISTANCE BETWEEN THE TWO LINES ON STRAIGHT TUBE. L2 IS DISTANCE BETWEEN THE TWO LINES ON CONNECTING PIPE.



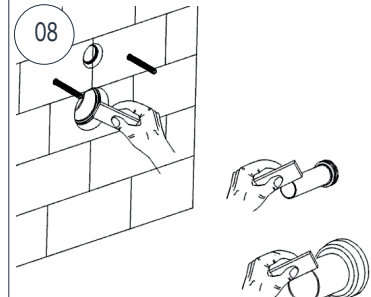
06

CUT THE STRAIGHT TUBE AND CONNECTING PIPE AS PER ABOVE DRAWING.



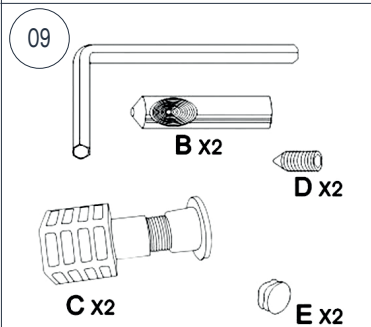
07

POLISHING THE CUTTING SURFACE TO GET CHAMFER ANGLE AS PER DRAWING AND DEBURRING.



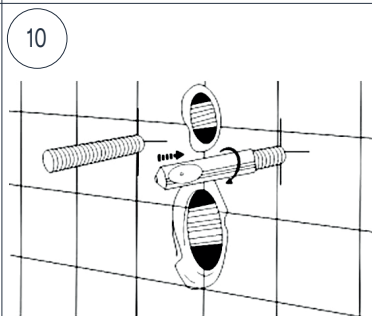
08

APPLY LUBRICANT ON JOINT SURFACE OF STRAIGHT TUBE AND CONNECTING PIPE.



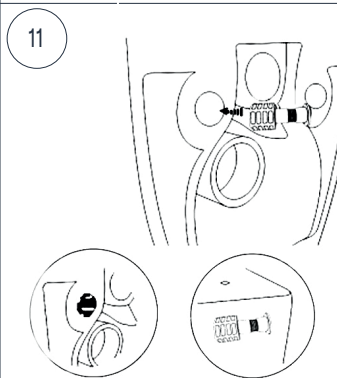
09

FIVE ACCESSORIES: PART A,B,C,D,E



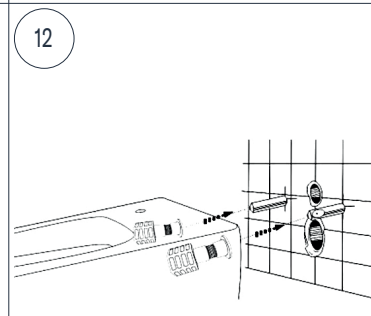
10

FIX THE PART B INTO THE SCREW AS THE ABOVE PICTURE.



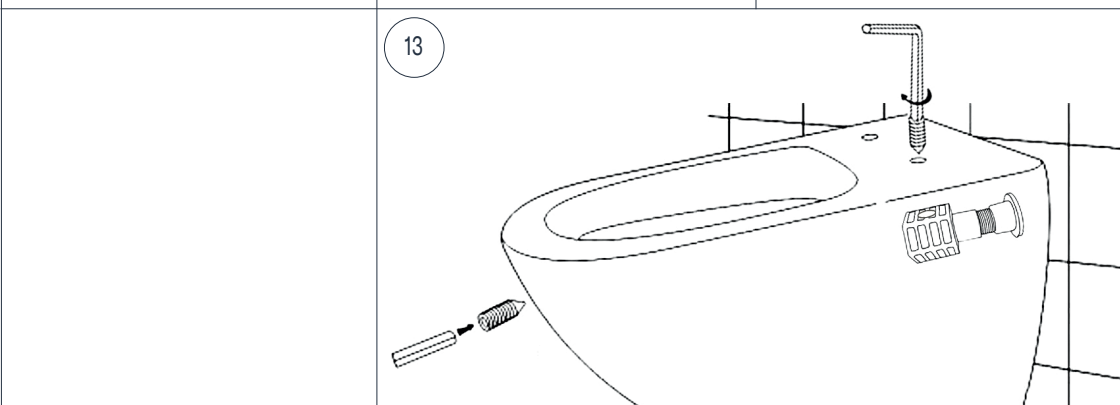
11

PUT THE PART C INTO THE INSTALLING HOLE ON THE PAN.



12

INSERT THE PART C INTO PART B.



13

FIX PART INTO THE HOLE ON PART C BY TOOL PART A.