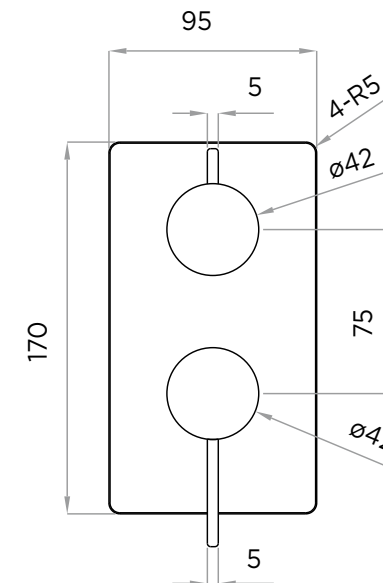
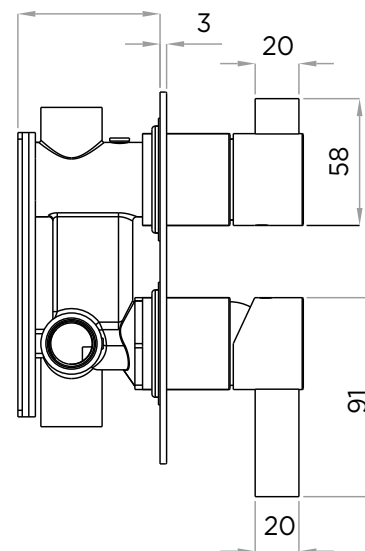




Min65-Max90



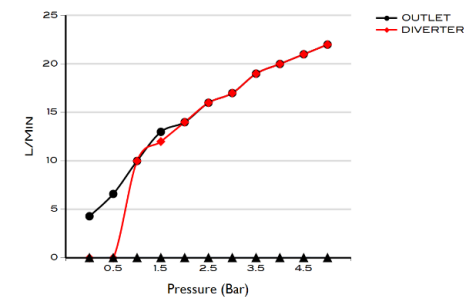
> SIZES IN MM.



CODE & COLOUR	
A3.0-2SC-POL	● POLISHED CHROME
A3.0-2SC-BRU	● BRUSHED NICKLED
A3.0-2SC-SS	● STAINLESS STEEL
A3.0-2SC-GRA	● GRAPHITE
A3.0-2SC-BLA	● BLACK MATT CHROME
A3.0-2SC-ROS	● ROSE GOLD
A3.0-2SC-GOL	● GOLD
A3.0-2SC-BRA	● BRASS
A3.0-2SC-ABR	● ANTIQUE BRASS

TECHNICAL INFORMATION

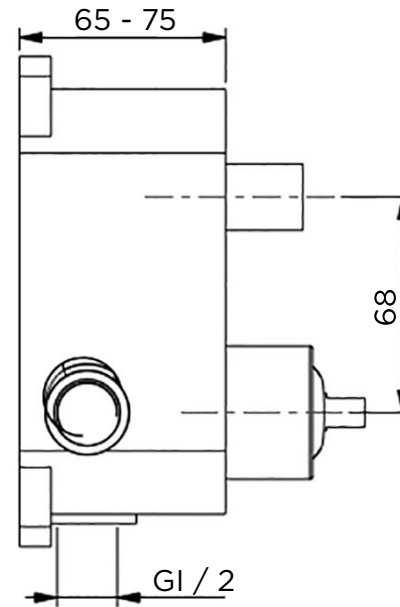
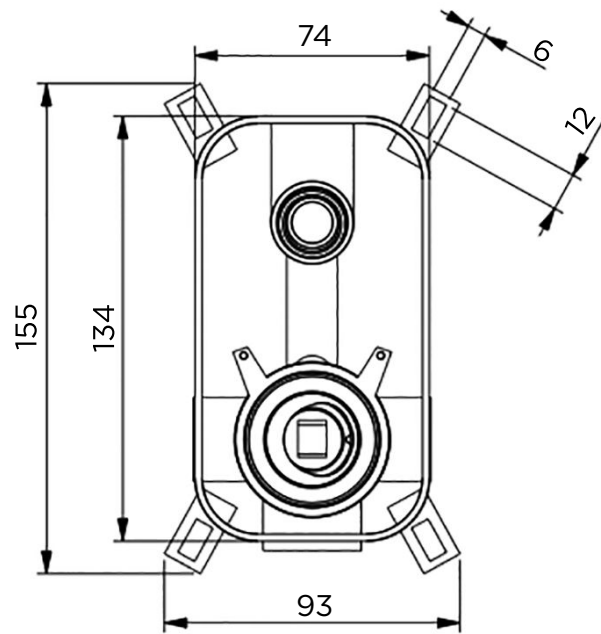
COLLECTION: WELLNESS / SHOWER CONTROL
 PRODUCT TYPE: ARC 3.0 2
 WALL MOUNTED VALVE
 TURN DIVERTER FOR 2 OUTLES
 MATERIAL: BRASS
 CONNECTION SIZE: 1/2"
 WATER PRESSURE : 0.2-5 BAR
 RMP: 1.0 BAR MP



SCOPE OF DELIVERY
VALVE · EXTERNAL PLATE HANDLE · FIXING KIT · DIVERTER HANDLE INSTALLATION GUIDE CARE & MAINTENANCE MANUAL



iwandw.com



INTERNATIONAL
WATER & WELLNESS

PRODUCT

Shower Controls

COLLECTION

Wellness

REFERENCE

ARC 3.0 2 / Universal Box