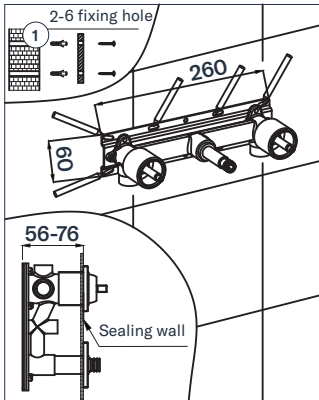
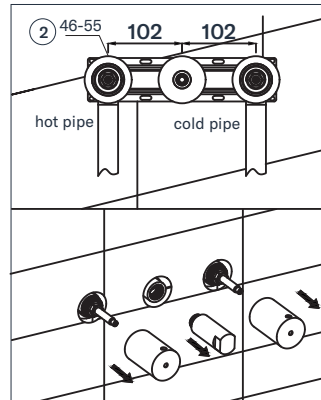


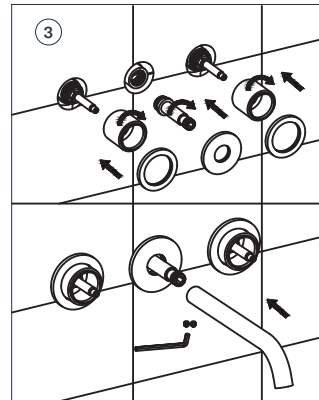
INSTALLATION STEPS:



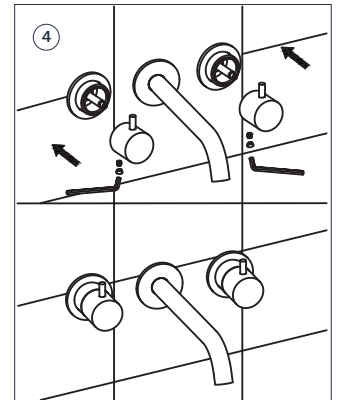
FIX THE EMBEDDED BOX HORIZONTALLY TO THE WALL ACCORDING TO THE DRAWING, SLOT SIZE OF EMBEDDER BOX MIN:280*75MM, DEPTH IS 56-76MM, THE BEST IS 64-69MM



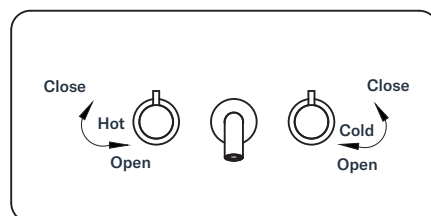
PAY ATTENTION THE CONNCTION DIRECTION ON HOT/ COLD WATER INLET, PLS TESTING THE WATER AT FIRST BEFORE SEALING THE WALL. THEN REMOVE THE COVER.



INSTALL THE PARTS AS DRAWING, THEN INSTALL THE SPOUT WITH SCREW WELL.



INSTALL THE HANDLE WELL WITH SCREW, THAT IS DONE.



picture 1
spout working picture