

> SIZES IN MM.



CODE & COLOUR

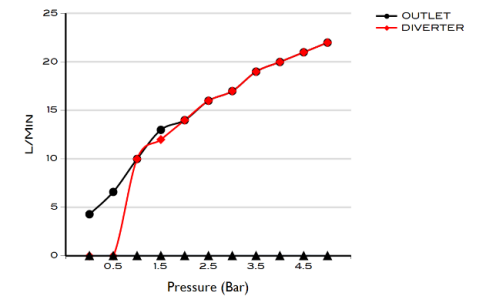
AV2-S/C-POL	●	POLISHED CHROME
AV2-S/C-BRU	●	BRUSHED NICKLED
AV2-S/C-SS	●	STAINLESS STEEL
AV2-S/C-GRA	●	GRAPHITE
AV2-S/C-BLA	●	BLACK MATT CHROME
AV2-S/C-ROS	●	ROSE GOLD
AV2-S/C-GOL	●	GOLD
AV2-S/C-BRA	●	BRASS
AV2-S/C-ABR	●	ANTIQUE BRASS

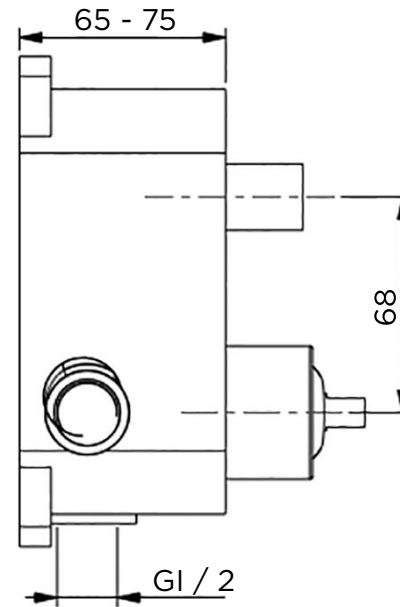
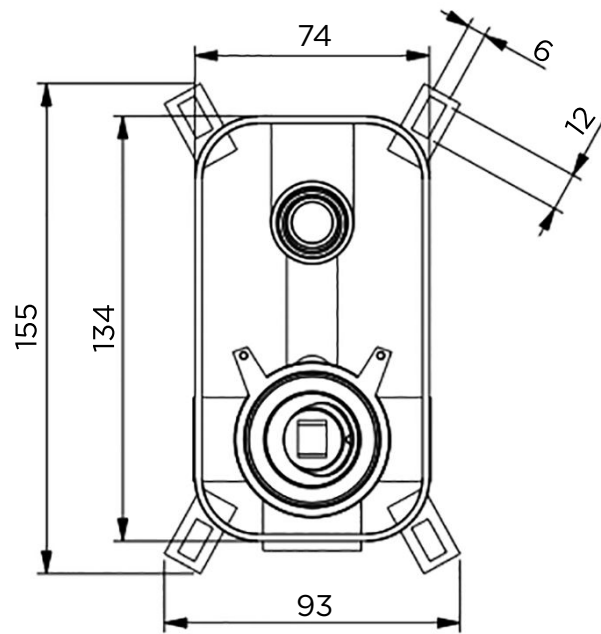
SCOPE OF DELIVERY

VALVE · EXTERNAL PLATE  
HANDLE · FIXING KIT · DIVERTER HANDLE  
INSTALLATION GUIDE  
CARE & MAINTENANCE MANUAL

TECHNICAL INFORMATION

COLLECTION: WELLNESS / SHOWER CONTROL  
PRODUCT TYPE: AVA 2 ROUND  
WALL MOUNTED VALVE  
TURN DIVERTER FOR 2 OUTLES  
MATERIAL: BRASS  
CONNECTION SIZE: 1/2"  
WATER PRESSURE : 0.2-5 BAR  
RMP: 1.0 BAR MP





INTERNATIONAL  
WATER & WELLNESS

PRODUCT

**Shower Controls**

COLLECTION

**Wellness**

REFERENCE

**Ava 2 Round / Universal Box**