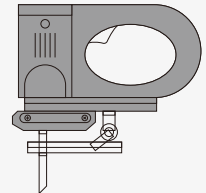
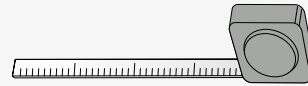
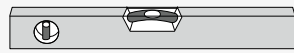


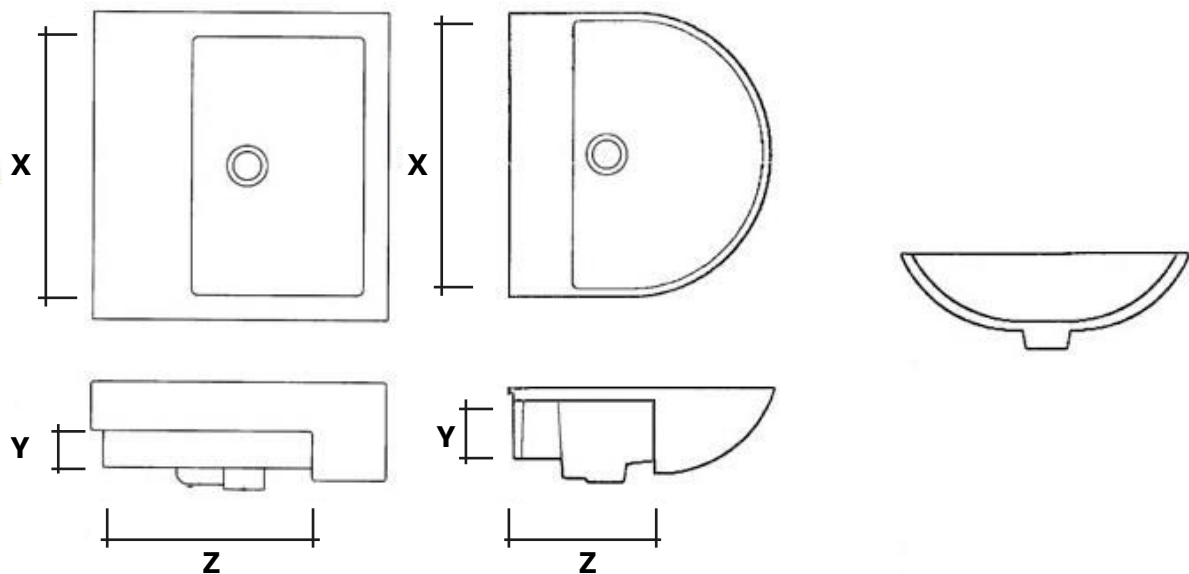
### TOOLS REQUIRED (NOT SUPPLIED)



1

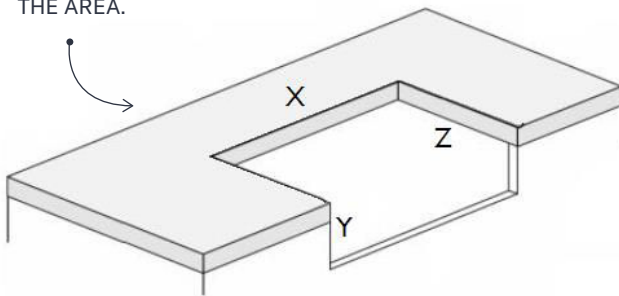


IF THE SEMI-RECESSED BASIN HAS A CURVED FRONT MAKE SURE TO COPY THE CURVATURE BUT BE 10 - 15 MM INSIDE THE OUTER DIMENSION.



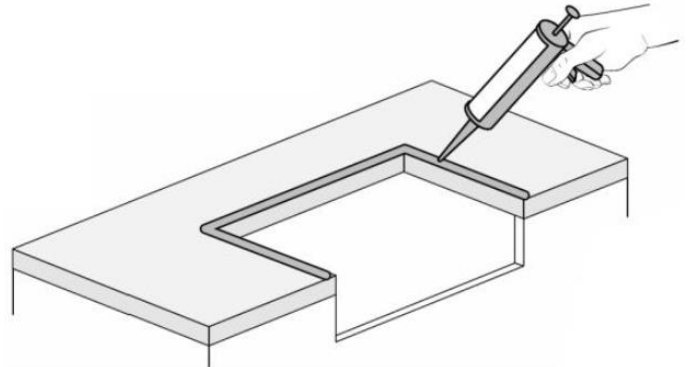
2

USE THE DIMENSION FROM THE BASIN AND MARK AND CUT OUT THE AREA.



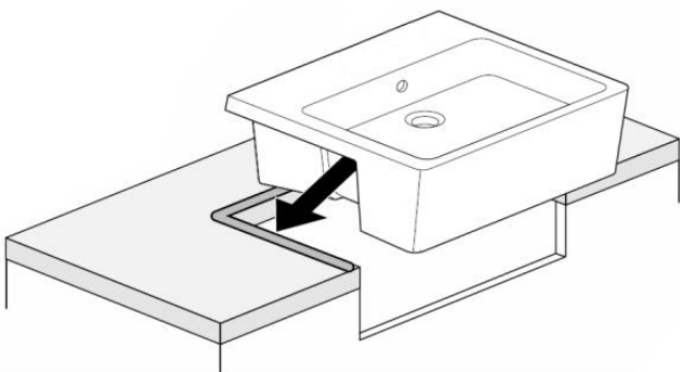
**INSTALLATION FOR WIDE WIDTH COUNTERTOPS.**

3



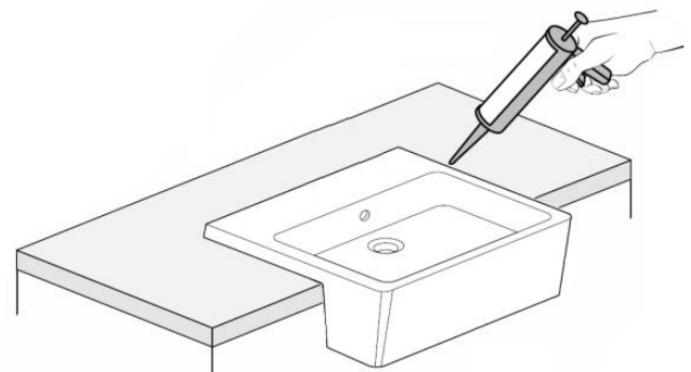
**PLACE A LAYER OF SILICON ONTO THE COUNTERTOP EDGE.**

4



**PLACE THE BASIN IN POSITION, MAKE SURE TO WIPE AWAY ANY EXCESS SILICON. ALLOW TO DRY.**

5

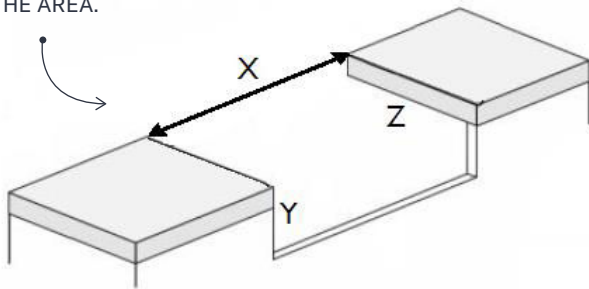


**APPLY A SMALL BEAD OF SILICON AROUND THE PERIMETER OF THE BASIN.**

**— INSTALLATION COMPLETE !!! —**

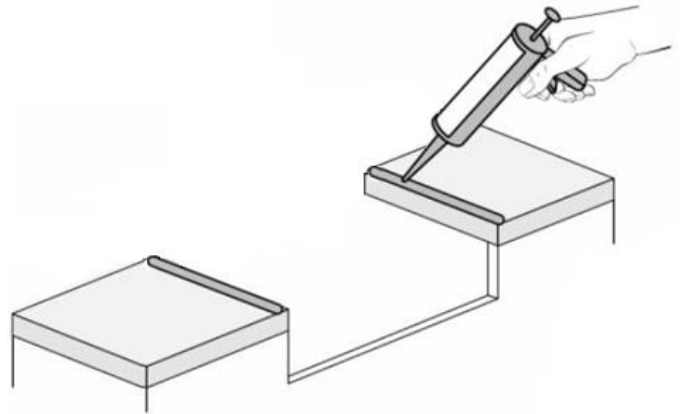
2

USE THE DIMENSION FROM THE BASIN AND MARK AND CUT OUT THE AREA.



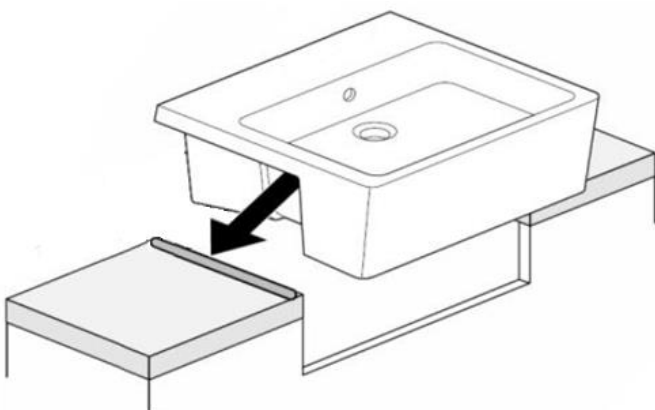
**INSTALLATION FOR NARROW WIDTH COUNTERTOPS.**

3



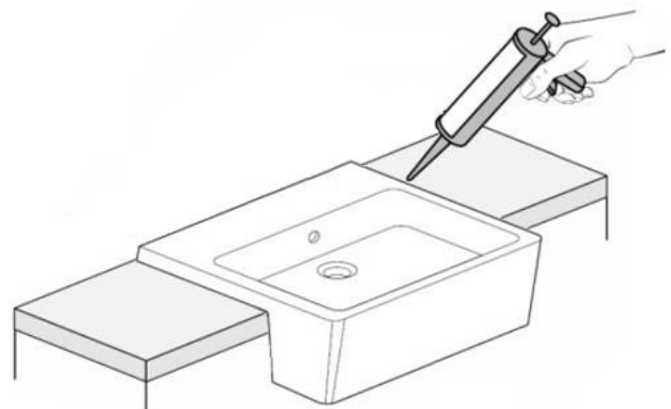
**PLACE A LAYER OF SILICON ONTO THE COUNTERTOP EDGE.**

4



**PLACE THE BASIN IN POSITION, MAKE SURE TO WIPE AWAY ANY EXCESS SILICON. ALLOW TO DRY.**

5



**APPLY A SMALL BEAD OF SILICON AROUND THE PERIMETER OF THE BASIN.**

**— INSTALLATION COMPLETE !!! —**