



Icon Bath Deck Mount Installation instruction manual

PRODUCT DESCRIPTION

SPECIFICATION:

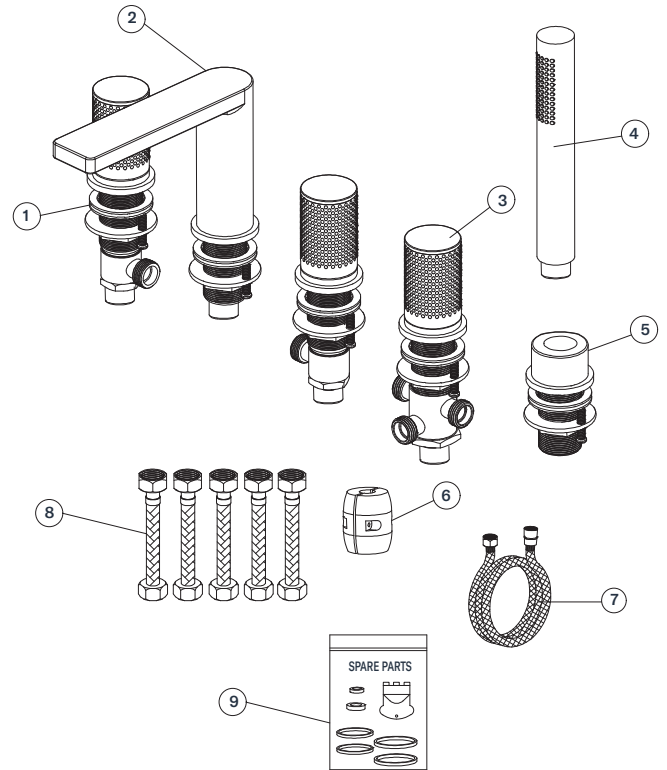
1. AFTER YOU OPEN THE PACKAGE, PLEASE CHECK THE PHYSICAL OBJECT AND THE CORRESPONDING ACCESSORIES.
2. THE PICTURE IS ONLY FOR REFERENCE, PLEASE MAKE THE OBJECT AS THE STANDARD.
3. ACCESSORIES ARE SUBJECT TO CHANGE WITHOUT AFFECTING USE, NO FURTHER NOTICE.
4. THANK YOU FOR CHOOSING OUR PRODUCTS.

THE LIST OF PRODUCTS IS AS FOLLOWS:

PLEASE REFER TO THE FIGURE ON THE RIGHT

09	SPARE PARTS	1	ABS	
08	HOSE	5	S.S	
07	1.5M FLEXIBL HOSE	1	S.S	
06	GRAVITY BALL	1	FE	
05	HEADSHOWER	1	CU	WASHER
04	HEADSHOWER	1	PLASTIC	
03	BODY FOR COLD INLET	1	CU	
02	SPOUT	1	CU	
01	BODY FOR HOT INLET	1	CU	
NO	NAME	QTY	MATERIAL	REMARK

DIMENSIONAL DRAWING



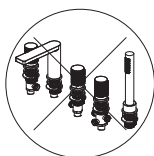
INSTALLATION NOTES

IMPORTANT TIPS:

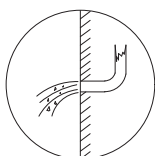
- 1.1 PRESSURE: UNDER THE PRESSURE 0.1 ± 0.01 MPA, SPOUT WITH ATTACHMENT FOR BASIN MIXER, SINK & KITCHEN MIXER, FLOW RATE ≤ 0.1 L/S.
- 1.2 PRESSURE: UNDER THE PRESSURE $0.3 + 0.02$ MPA, SHOWER MIXER, FLOW RATE ≥ 0.33 L/S, BASIN MIXER, BIDET, SINK & HEADSHOWER, FLOW RATE ≥ 0.15 L/S.
2. RECOMMENDED WATER INLET TEMPERATURE 4° - 80° .
3. WHEN USING, PAY ATTENTION TO WATER HOSE SHOULD NOT BE IN TORSION TO AVOID HOSE RUPTURE.

NOTES:

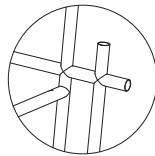
1. BE SURE TO REMOVE IMPURITIES AND SLUDGE FROM PRE-BURIED PIPES BEFORE INSTALLING FAUCETS.
2. AFTER INSTALLING THE FAUCET, PLEASE CHECK THE JOINTS WHETHER ARE TIGHTLY CONNECTED AND THE PIPE IS LEAKING OR NOT.
3. WHEN USING, PAY ATTENTION TO WATER HOSE SHOULD NOT BE IN TORSION TO AVOID HOSE RUPTURE.



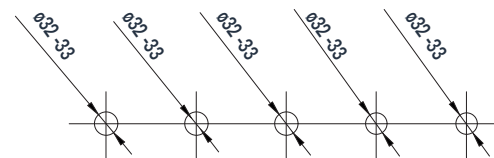
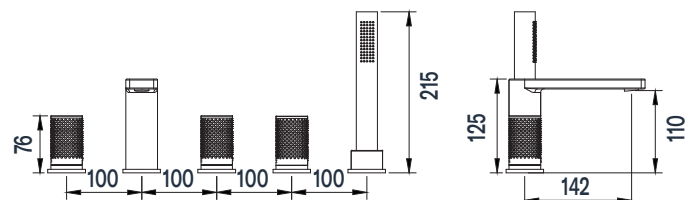
BANNED APART



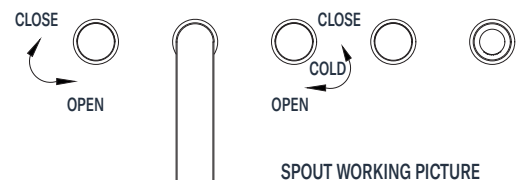
WASHING PIPE



INSPECT PIPE



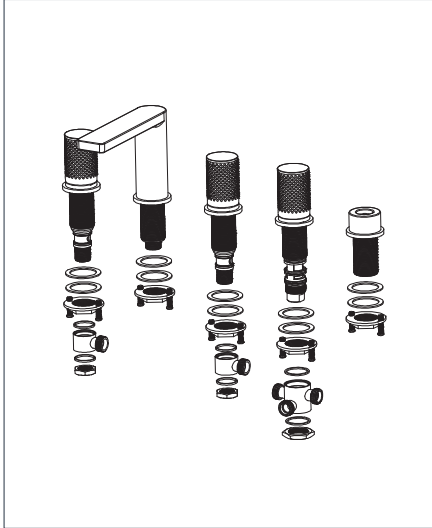
REFERENCE DIMENSIONS



SPOUT WORKING PICTURE

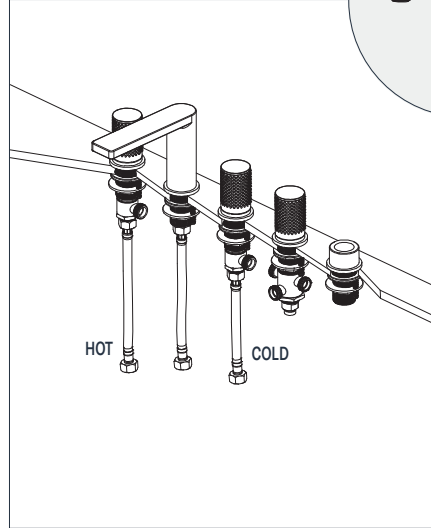
INSTALLATION STEPS

1



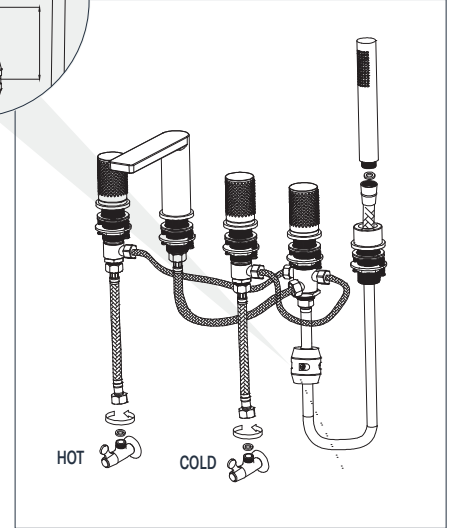
SEPARATE THE PARTS OF THE TAP ACCORDING TO DRAWING.

2



FIXED THE FAUCET ON BATHTUB, CONNECTED THE INLET HOSE INTO COLD/HOT BODY.

3



3.1 ACCORDING TO DRAWING, FIXED WELL THE INLET HOSE AND FAUCET BODY.

3.2 ACCORDING TO DRAWING, FIXED WELL THE INLET AND OUTLET HOSE. PLS NOTED IT HAVE TO PUT WASHED, DON'T MISSING, AFTER FINISHED INSTALLATION. PLEASE CHECK IF IT IS LEAKING OR NOT.

3.3 IF THE HANDLE SWITCH POSITION IS OPPOSITE TO THE DRAWING, REPLACE THE ANGLE VALVE HOSE WITH THE WATER OUTLET BODY HOSE.

TESTING

IMPORTANT:

1. CLOSE THE FAUCET AND OPEN THE INLET VALVE TO CHECK FOR LEAKAGE OR NOT AT ALL JOINTS.
2. OPEN THE FAUCET, OPEN THE INLET VALVE, AND CHANGE DEVERTER TO CHECK FOR LEAKAGE OR NOT.
3. WHEN USING, DO NOT PULL THE HOSE VIGOROUSLY TO AVOID HOSE RUPTURE.

INSTALLATION EFFECT

