

PRODUCT DESCRIPTION

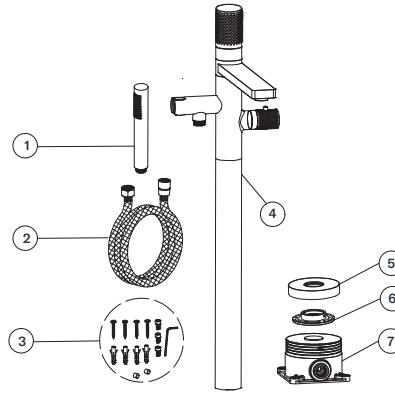
SPECIFICATION:

1. AFTER YOU OPEN THE PACKAGE, PLEASE CHECK THE PHYSICAL OBJECT AND THE CORRESPONDING ACCESSORIES.
2. THE PICTURE IS ONLY FOR REFERENCE, PLEASE MAKE THE OBJECT AS THE STANDARD.
3. ACCESSORIES ARE SUBJECT TO CHANGE WITHOUT AFFECTING USE, NO FURTHER NOTICE.
4. THANK YOU FOR CHOOSING OUR PRODUCTS.

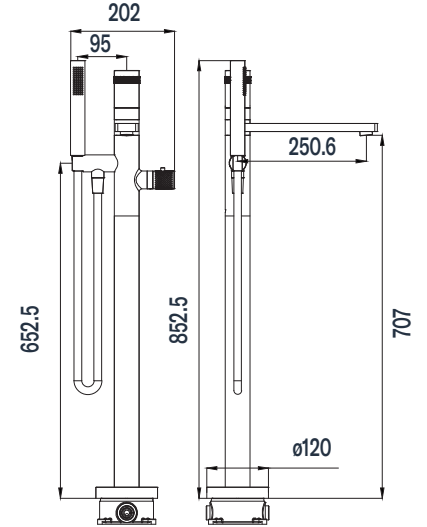
THE LIST OF PRODUCTS IS AS FOLLOWS:

PLEASE REFER TO THE FIGURE ON THE RIGHT

NO	NAME	QTY	MATERIAL	REMARK
07	EMBEDDED BOX.	1	CU	
06	FLANGE	1	SUS304	
05	DECORATIVE COVER	1	CU	
04	FAUCET BODY	1	CU	
03	ACCESSORIES BAG	1	S.S	
02	1.5M RETRACTABLE	1	S.S	
01	HANDSHOWER	1	CU	



DIMENSIONAL DRAWING



INSTALLATION NOTES

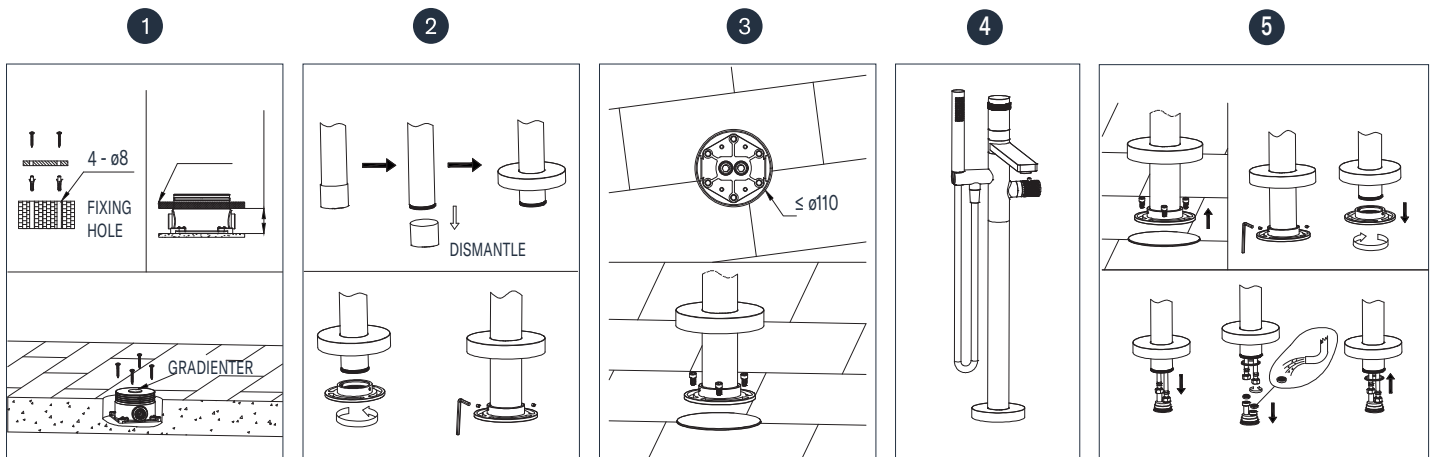
IMPORTANT TIPS:

- 1.1 PRESSURE: UNDER THE PRESSURE 0.1 ± 0.01 MPA, SPOUNT WITH ATTACHMENT FOR BASIN MIXER, SINK & KITCHEN MIXER, FLOW RATE ≤ 0.15 L/S.
- 1.2 PRESSURE: UNDER THE PRESSURE $0.3 + 0.02$ MPA, SHOWER MIXER, FLOW RATE ≥ 0.33 L/S, BASIN MIXER, BIDET, SINK & HEADSHOWER, FLOW RATE ≥ 0.20 L/S.
2. RECOMMENDED WATER INLET TEMPERATURE 4° - 80° .

NOTES:

1. BE SURE TO REMOVE IMPURITIES AND SLUDGE FROM PRE-BURIED PIPES BEFORE INSTALLING FAUCETS.
2. AFTER INSTALLING THE FAUCET, PLEASE CHECK THE JOINTS WHETHER ARE TIGHTLY CONNECTED AND THE PIPE IS LEAKING OR NOT.
3. WHEN USING, PAY ATTENTION TO WATER HOSE SHOULD NOT BE IN TORSION TO AVOID HOSE RUPTURE.

INSTALLATION STEPS



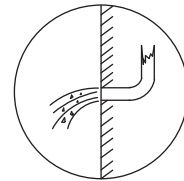
1. ACCORDING TO ABOVE DRAWING, SLOTTING IN THE WALL, THE WATER INLET PIPE SHALL BE INSTALLED ON THE LEFT (HOT WATER) AND RIGHT (COLD WATER), FIXED THE BODY HORIZONTALLY AT THE FLOOR.

2. REMOVE THE MAIN SHEATH ACCORDING TO THE DRAWING, INSTALL THE DECORATIVE COVER AT FIRST, THEN TO THE FLANGE, AND LOCK THE SCREWS ON BOTH SIDES TO COMPLETE.

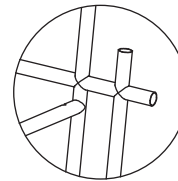
3. FINISH WALL SEALING ACCORDING TO THE DRAWING. PAY ATTENTION: BEFORE SEALING THE WALL MUST TEST THE WATER AT FIRST, INSTALL AND ADJUST THE ANGLE OF THE FLOOR MOUNTED BATH MIXER.

4. ACCORDING TO ABOVE DRAWING, CONNECTED WELL WITH HANDSHOWER ON BODY.

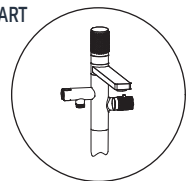
5. REMOVE THE BOTTOM OF THE MAIN BODY ACCORDING TO THE DRAWING, FLUSH THE FILTER SCREEN, INSTALL IT BACK INTO THE MAIN BODY, AND COMPLETE THE INSTALLATION.



BANNED PART



WASHING PIPE



INSPECT PIPE