



Icon Wide Spread Deck Mount Installation instruction manual

PRODUCT DESCRIPTION

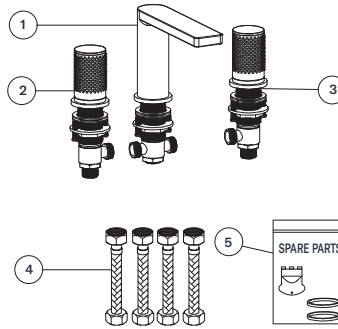
SPECIFICATION:

1. AFTER YOU OPEN THE PACKAGE, PLEASE CHECK THE PHYSICAL OBJECT AND THE CORRESPONDING ACCESSORIES.
2. THE PICTURE IS ONLY FOR REFERENCE, PLEASE MAKE THE OBJECT AS THE STANDARD.
3. ACCESSORIES ARE SUBJECT TO CHANGE WITHOUT AFFECTING USE, NO FURTHER NOTICE.
4. THANK YOU FOR CHOOSING OUR PRODUCTS.

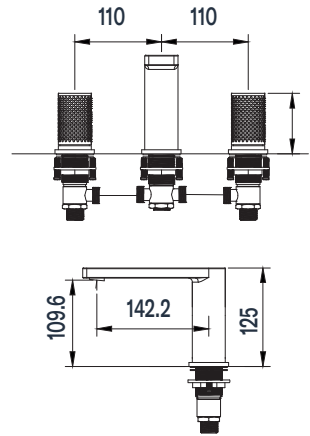
THE LIST OF PRODUCTS IS AS FOLLOWS:

PLEASE REFER TO THE FIGURE ON THE RIGHT

05	SPARE PARTS	1	ABS	
04	HOSE	4	S.S	
03	BODY FOR COLD INLET	1	CU	
02	BODY FOR HOT INLET	1	CU	
01	MIXED WATER OUTLET NOZZLE	1	CU	WASHER
NO	NAME	QTY	MATERIAL	REMARK



DIMENSIONAL DRAWING



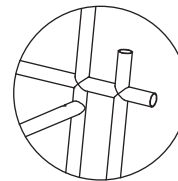
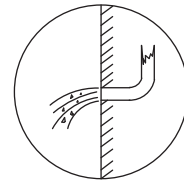
INSTALLATION NOTES

IMPORTANT TIPS:

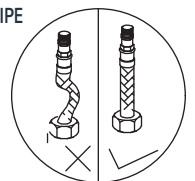
- 1.1 PRESSURE: UNDER THE PRESSURE 0.1 ± 0.01 MPA, SPOUNT WITH ATTACHMENT FOR BASIN MIXER, SINK & KITCHEN MIXER, FLOW RATE ≤ 0.1 L/S.
- 1.2 PRESSURE: UNDER THE PRESSURE 0.3 ± 0.02 MPA, SHOWER MIXER, FLOW RATE ≥ 0.33 L/S, BASIN MIXER, BIDET, SINK & HEADSHOWER, FLOW RATE ≥ 0.15 L/S.
2. RECOMMENDED WATER INLET TEMPERATURE 4° - 80° .
3. WHEN USING, PAY ATTENTION TO WATER HOSE SHOULD NOT BE IN TORSION TO AVOID HOSE RUPTURE.

NOTES:

1. BE SURE TO REMOVE IMPURITIES AND SLUDGE FROM PRE-BURIED PIPES BEFORE INSTALLING FAUCETS.
2. AFTER INSTALLING THE FAUCET, PLEASE CHECK THE JOINTS WHETHER ARE TIGHTLY CONNECTED AND THE PIPE IS LEAKING OR NOT.
3. WHEN USING, PAY ATTENTION TO WATER HOSE SHOULD NOT BE IN TORSION TO AVOID HOSE RUPTURE.



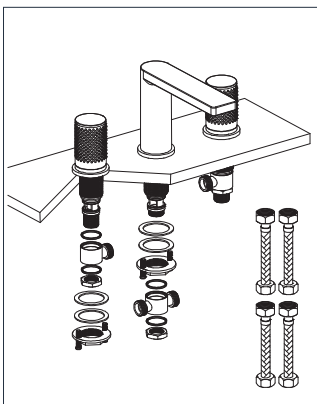
INSPECT PIPE



HOSE INSTALLATION

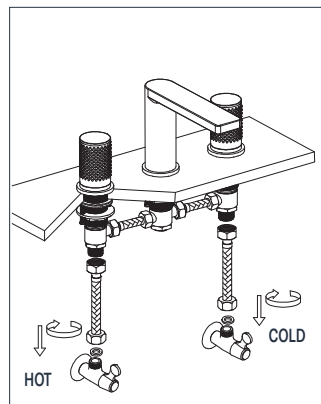
INSTALLATION STEPS

1



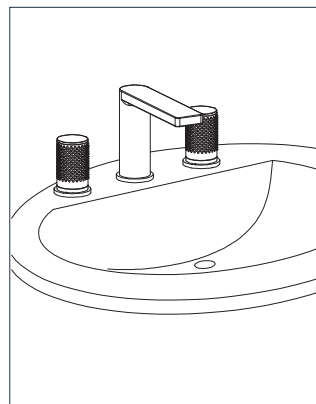
ACCORDING TO ABOVE DRAWING, BEFORE THE HOSE IS INSTALLED, DISTINGUISH LEFT RED (HOT WATER) AND RIGHT BLUE (COLD WATER), INSTALLED ONE OF INLET PIPE.

2

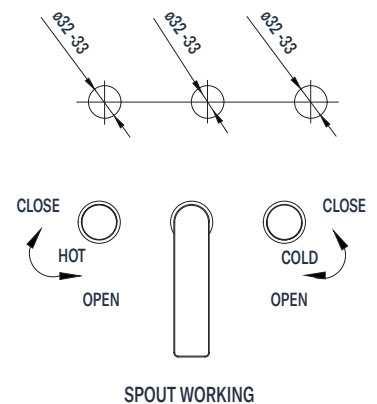


2.1 ACCORDING TO ABOVE DRAWING, INSERT THE INLET PIPE FROM FIXING NUT, CONNECTED WELL WITH BODY AND FIXATION.
2.2 CONNECTED WELL BETWEEN INLET AND ANGEL VALVE AND FIXATION, PAY ATTENTION ON DIRECTION FOR COLD/HOT.
2.3 ANGLE VALVE FOR CUSTOMER'S OWN CHOICE.

3



AFTER INSTALLATION, TESTING WHETHER EACH CONNECTION IS LEAKING OR NOT.



SPOUT WORKING



Icon Wide Spread Deck Mount Installation instruction manual

MAINTENANCE

TO KEEP THE SURFACE OF THE FAUCET BRIGHT AND CLEAN, PLEASE CLEAN THE FAUCET REGULARLY:

1. CLEAN WITH WATER FREQUENTLY WITH SOFT COTTON CLOTH, COLORLESS GLASS CLEANER, DO NOT HAVE GRIND ACTION.
2. DO NOT USE ACIDIC DETERGENTS, WHICH CAN ERODE SURFACE COATINGS
3. DO NOT USE CLEANING POWDER OR POLISHING POWDER CONTAINING COARSE PARTICLES OF DETERGENT OR NYLON BRUSH, IN ORDER TO AVOID WEARING OUT PRODUCTS.
4. UNDER NORMAL WATER PRESSURE, WHEN THE WATER YIELD IS REDUCED, PLEASE REMOVE THE PUMP NOZZLE AND CLEAN IT.

