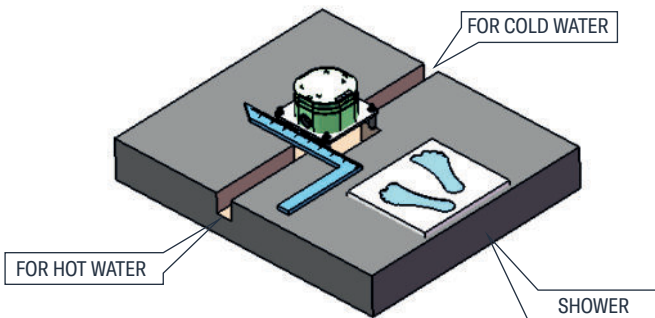
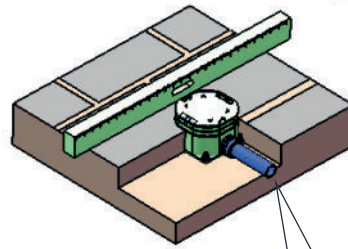
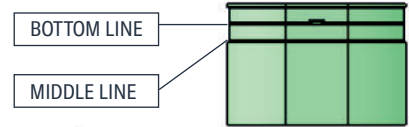


- 1** CONFIRM THE POSITIONS FOR THE I-BOX AND THE SHOWER AREA (DISTANCE SHOULD BE 750MM), THEN PREPARE THE AREA.

VERTICAL TO  
SHOWER PLACE

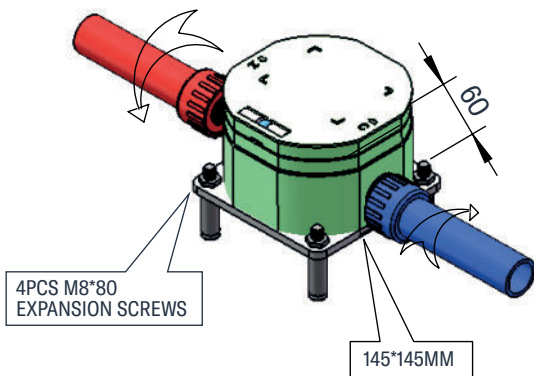


- 3**

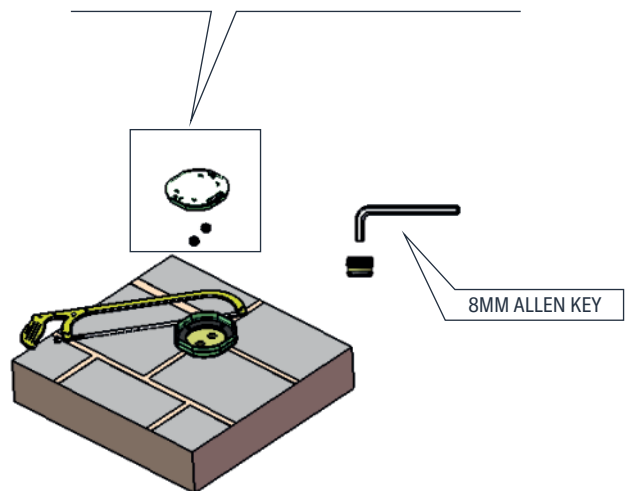


MAKE SURE THE I-BOX IS VERTICAL AND CENTERED. FIX THE I-BOX TO THE BASE USING 4PCS M8 EXPANSION SCREWS, MAKE SURE THE FLOOR TILE IS HIGHER THAN THE BOTTOM LINE AND LOWER THAN THE MIDDLE LINE OF I-BOX.

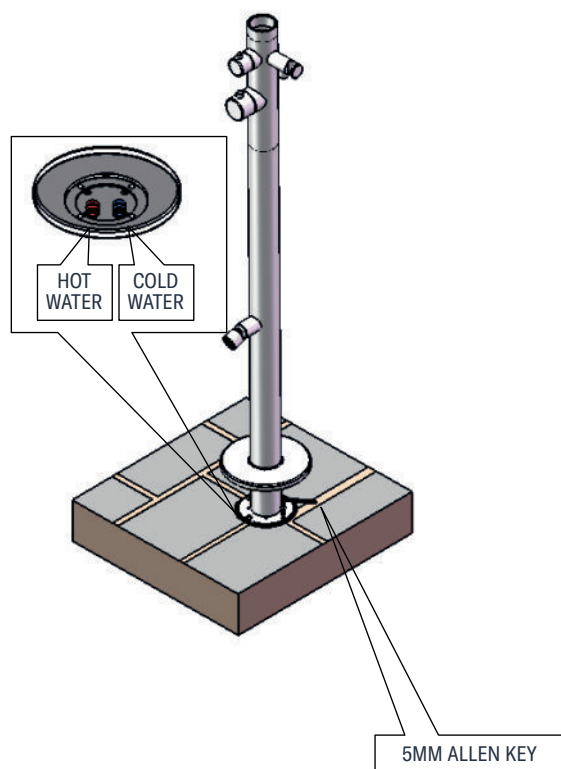
- 2** CONNECT THE HOT AND COLD WATER PIPES TO THE I-BOX, MAKE SURE THERE ARE NO LEAKS.



- 4** DISPOSE OF THE I-BOX COVER AND PLUGS FOR HOT AND COLD WATER OUTLETS. CUT THE EXTRA TOP PART OF THE I-BOX.



- 5** INSERT THE LOWER PIPE TO THE I-BOX, CONNECT THE BOTTOM PLATE TO THE I-BOX WITH 4 SCREWS, THEN PUSH DOWN THE BOTTOM DECORATED COVER TO THE FLOOR.



- 6** INSERT THE UPPER PIPE INTO THE LOWER PIPE, ALIGN THE BACK LINES ON THE TWO PIPES TO FOR A RECTANGULAR, AND LOCK IN THE SCREWS TO FINALISE THE INSTALLATION.

IF PROVIDED CONNECT THE HANDSHOWER WITH THE FLEXIBLE HOSE.

