

> SIZES IN MM.



CODE & COLOUR

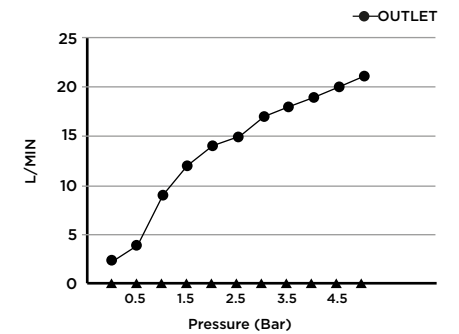
HSA-ROU-POL ● POLISHED CHROME
 HSA-ROU-BLA ● BLACK MATT CHROME

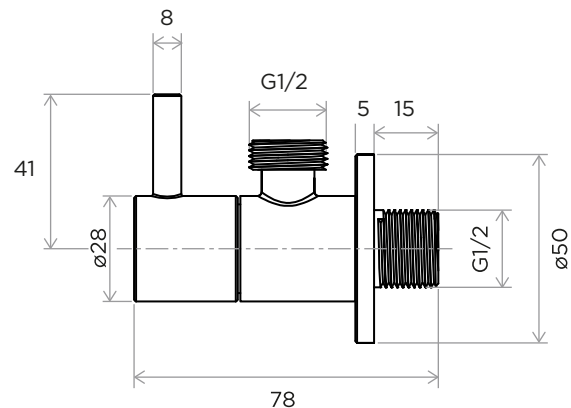
TECHNICAL INFORMATION

COLLECTION: PLUMBING /HEALTH SPRAY
 PRODUCT TYPE: HEALTH SPRAY ABS
 MATERIAL: ABS
 CONNECTION SIZE: 1/2"
 WATER PRESSURED: 0.2-0,5 BAR
 RMP: 1.0 BAR LP

SCOPE OF DELIVERY

HEALTH SPRAY · ABS BODY · ONE SPRAY FUNCTION
 HOLDER, PVC HOSE 1.2m & ROUND ANGLE VALVE
 INCLUDED · INSTALLATION GUIDE
 CARE & MAINTENANCE MANUAL





> SIZES IN MM.



CODE & COLOUR

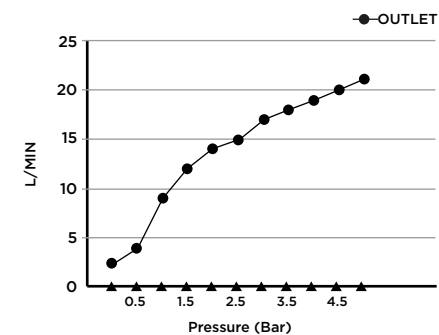
A/V-ROU-POL	●	POLISHED CHROME
A/V-ROU-BRU	●	BRUSHED NICKLE
A/V-ROU-SS	●	STAINLESS STEEL
A/V-ROU-GRA	●	GRAPHITE
A/V-ROU-BLA	●	BLACK MATT CHROME
A/V-ROU-ROS	●	ROSE GOLD
A/V-ROU-GOL	●	GOLD
A/V-ROU-BRA	●	BRASS
A/V-ROU-ABR	●	ANTIQU BRASS

SCOPE OF DELIVERY

ANGLE VALVE
BACK PLATE
CARE & MAINTENANCE MANUAL

TECHNICAL INFORMATION

COLLECTION: ANGLE VALVE
PRODUCT TYPE: A/V ROUND
MATERIAL: BRASS
CONNECTION SIZE: 1/2"
WATER PRESSURED: 0.2-0,5 BAR
RMP: 1.0 BAR LP
IN ACCORDANCE WITH ASME 112.18.1



iwandw.com