

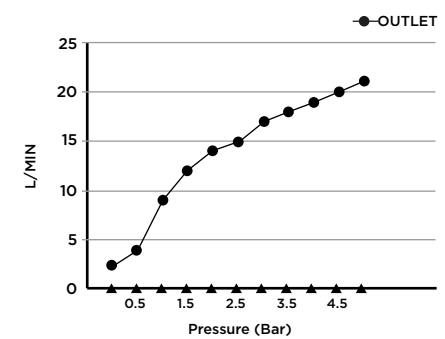
> SIZES IN MM.



CODE & COLOUR	
HSP-SQU-POL	● POLISHED CHROME
HSP-SQU-BRU	● BRUSHED NICKLE
HSP-SQU-SS	● STAINLESS STEEL
HSP-SQU-GRA	● GRAPHITE
HSP-SQU-BLA	● BLACK MATT CHROME
HSP-SQU-ROS	● ROSE GOLD
HSP-SQU-GOL	● GOLD
HSP-SQU-BRA	● BRASS
HSP-SQU-ABR	● ANTIQUE BRASS

TECHNICAL INFORMATION

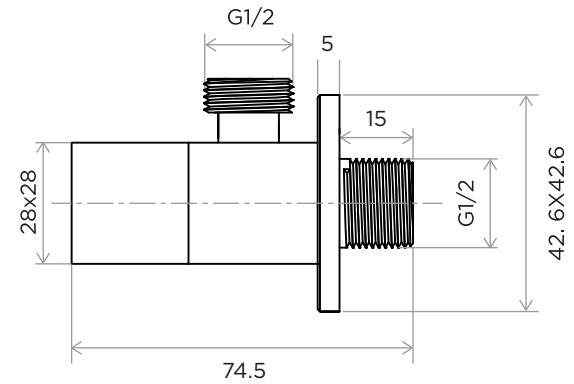
COLLECTION: PLUMBING /HEALTH SPRAY
 PRODUCT TYPE: HEALTH SPRAY SQUARE
 MATERIAL: BRASS
 CONNECTION SIZE: 1/2"
 WATER PRESSURED: 0.2-0,5 BAR
 RMP: 1.0 BAR LP



SCOPE OF DELIVERY

HEALTH SPRAY · BRASS BODY · ONE SPRAY FUNCTION.
 HOLDER, PVC HOSE 1.2m & SQUARE ANGLE VALVE INCLUDED
 INSTALLATION GUIDE · CARE & MAINTENANCE MANUAL





> SIZES IN MM.



CODE & COLOUR

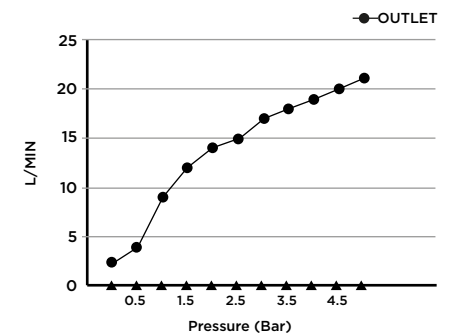
AVC-SQU-POL	●	POLISHED CHROME
AVC-SQU-BRU	●	BRUSHED NICKLE
AVC-SQU-SS	●	STAINLESS STEEL
AVC-SQU-GRA	●	GRAPHITE
AVC-SQU-BLA	●	BLACK MATT CHROME
AVC-SQU-ROS	●	ROSE GOLD
AVC-SQU-GOL	●	GOLD
AVC-SQU-BRA	●	BRASS
AVC-SQU-ABR	●	ANTIQU BRASS

SCOPE OF DELIVERY

ANGLE VALVE
BACK PLATE
CARE & MAINTENANCE MANUAL

TECHNICAL INFORMATION

COLLECTION: ANGLE VALVE
PRODUCT TYPE: A/V C SQUARE
MATERIAL: BRASS
CONNECTION SIZE: 1/2"
WATER PRESSURED: 0.2-0,5 BAR
RMP: 1.0 BAR LP
IN ACCORDANCE WITH ASME 112.18.1



iwandw.com