

> SIZES IN MM.



TECHNICAL INFORMATION

PRODUCT: AEON CURVE
WIDESPREAD 2 HOLE
PRODUCT TYPE: 2 HOLE BASIN MIXER
MATERIAL: BRASS
CONNECTION SIZE: 1/2"
WATER PRESSURED: 0.2-5 BAR
RMP: 0.5 BAR LP
-
2 HOLE BASIN MIXER
DECK MOUNTED
TWIN HANDLE WITH
WITH WATER FLOW AERATOR

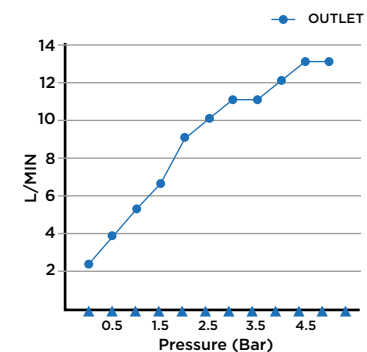
CODE & COLOUR

AEON-CU2HWS

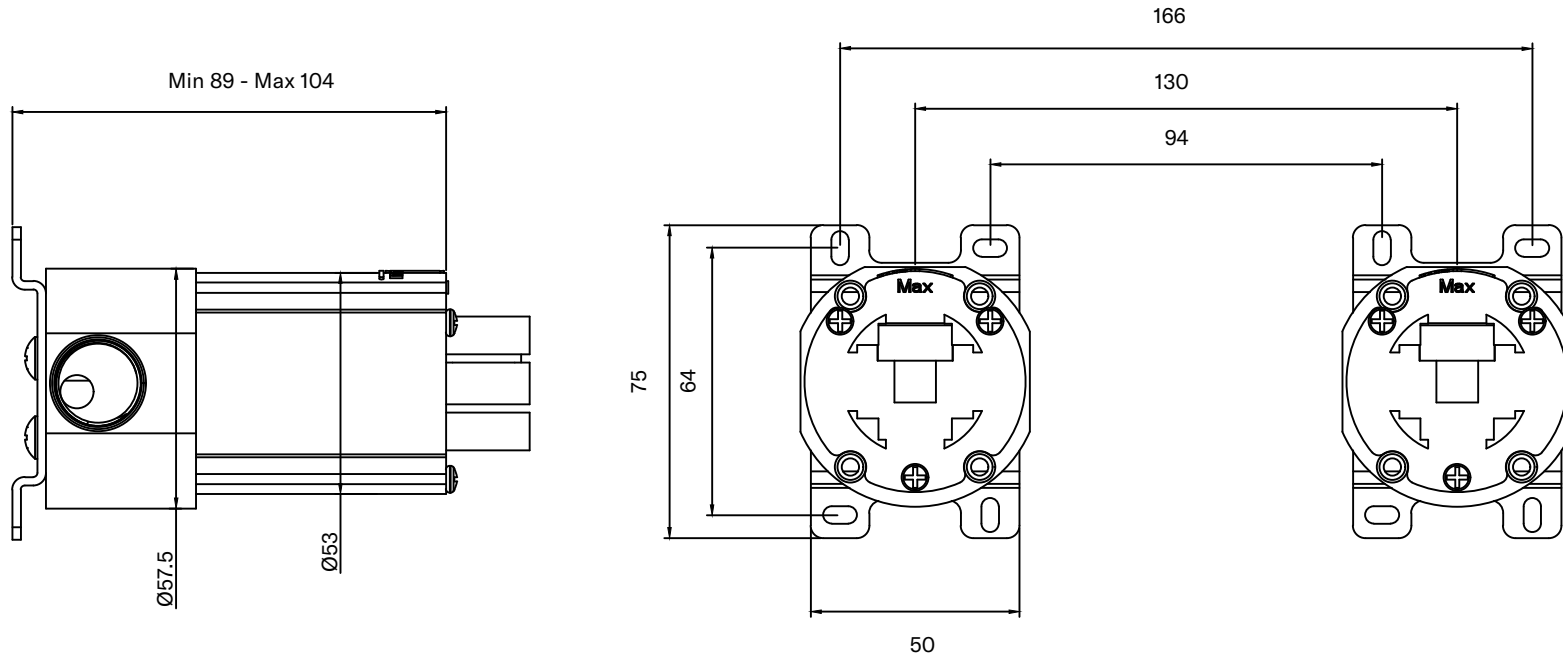
Please refer to the product
details on our website
for color references:
iwandw.com

SCOPE OF DELIVERY

BASIN MIXER, SPOUT, 2 X HANDLE + CONNECTOR, FIXING KIT,
INSTALLATION MANUAL, CARE & MAINTENANCE GUIDE



iwandw.com



red dot winner
brand design

WeAre360°



> SIZES IN MM.

IW[®]
INTERNATIONAL
WATER & WELLNESS

PRODUCT
AEON CURVE

COLLECTION
TAPS

REFERENCE
AEON 2 WAY - VALVE