



One way shower control installation guide.

Concealed single
function valve manual.
Care & Maintenance



For use with:

S/C Arc	S/C Cuadro
S/C Ava	S/C Mohs
S/C Ava sq	S/C Icon
S/C Cosmo	S/C Sigma

PRODUCT DESCRIPTION:

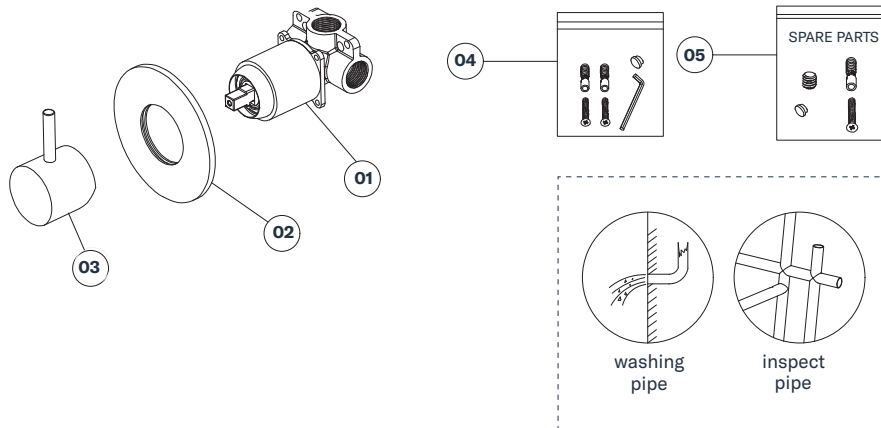
SPECIFICATION:

1. AFTER YOU OPEN THE PACKAGE, PLEASE CHECK THE PHYSICAL PIECE AND CORRESPONDING ACCESSORIES.
2. THE PICTURE IS ONLY FOR REFERENCE.
3. ACCESSORIES ARE SUBJECT TO CHANGE WITHOUT AFFECTING USE.

INSTALLATION NOTES:

THE LIST OF PRODUCTS IS AS FOLLOWS: PLEASE REFER TO THE FIGURE ON THE RIGHT.

NO	NAME	QTY	MATERIAL	REMARK
01	BODY	1	CU	
02	PANEL	1	CU	
03	HANDLE	1	CU	
04	ACCESSORY BAG	1	S.S	
05	SPARE PARTS	1	S.S	



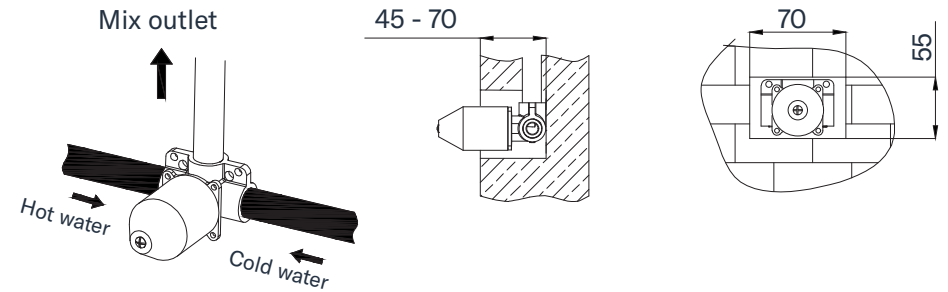
IMPORTANT TIPS:

1. A) PRESSURE: UNDER THE PRESSURE 0.1 ± 0.01 MPA, SPOUT WITH ATTACHMENT FOR BASIN MIXER, SINK & KITCHEN MIXER, FLOW RATE ≤ 0.1 L/S.
B) PRESSURE: UNDER THE PRESSURE $0.3 + 0.02$ MPA, SHOWER MIXER, FLOW RATE ≥ 0.33 L/S, BASIN MIXER, BIDET, SINK & HEADSHOWER, FLOW RATE ≥ 0.15 L/S
2. RECOMMENDED WATER INLET TEMPERATURE 4° - 80° .

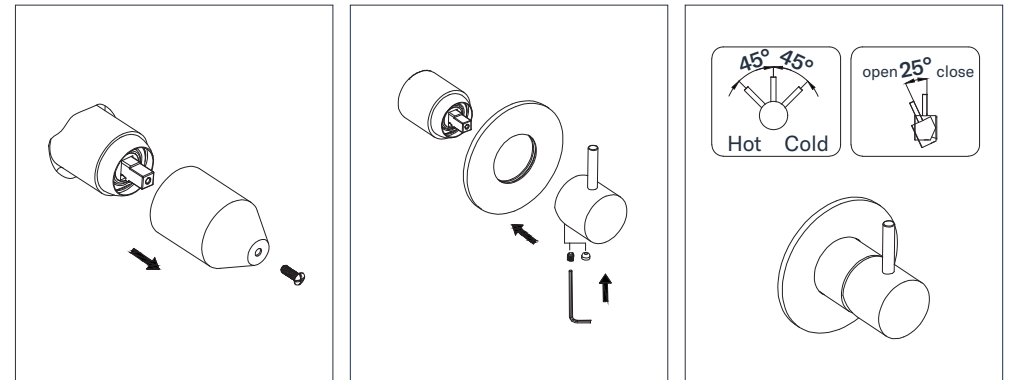
NOTES:

1. BE SURE TO REMOVE IMPURITIES AND SLUDGE FROM PRE-BURIED PIPES BEFORE INSTALLING FAUCETS.
2. AFTER INSTALLING THE FAUCET, PLEASE CHECK THAT EVERYTHING IS TIGHTLY CONNECTED AND ENSURE THAT THERE ARE NO LEAKS.
3. WHEN USING, PAY ATTENTION TO WATER HOSE SHOULD NOT BE IN TORSION TO AVOID HOSE RUPTURE.

INSTALLATION STEPS:



1. THE MINIMUM DIMENSION OF WALL OPENING FOR EMBEDDED PART IS 70×55 MM, WITH A DEPTH OF 45-70MM, 55-65MM IS THE BEST.(NOTE:DEPTH DIMENSION IS REFERS TO THE WALL WITH PAVED TILE, AND PLEASE RESERVE APPROPRIATE TILE THICKNESS IF INSTALLED ON THE BLANK WALL.)
2. THE COLD&HOT WATER PIPE MUST BE CONNECTED AS SHOWN.
3. AFTER WATER TESTING, MAKE SURE THERE IS NO LEAKAGE, THEN THE PIPELIN AND EMBEDDED PARTS CAN BE COVERED WITH CEMENT FILLER.
4. THE DIMENSION OF COVERED TILE MUST BE LESS THAN THE FAUCET PLATE (80X80MM).



MAINTENANCE:

TO KEEP THE SURFACE OF THE FAUCET BRIGHT AND CLEAN, PLEASE CLEAN THE FAUCET REGULARLY:

1. CLEAN WITH WATER FREQUENTLY WITH SOFT COTTON CLOTH, COLORLESS GLASS CLEANER, DO NOT HAVE GRIND ACTION.
2. DO NOT USE ACIDIC DETERGENTS, WHICH CAN ERODE SURFACE COATINGS.
3. DO NOT USE CLEANING POWDER OR POLISHING POWDER CONTAINING COARSE PARTICLES OF DETERGENT OR NYLON BRUSH, IN ORDER TO AVOID WEARING OUT PRODUCTS.

To ensure maximum performance and many years of use, please follow these recommendations carefully.

The majority of products can be cleaned with warm water, mild soap, and a clean, soft cloth or microfibre cloth. Do not use any abrasive cleaning pads or strong cleaning products containing ammonia, bleaches, alcohol, dyes, acids (hydrochloric, formic, phosphorus, or chlorine) as this could damage the product.

When using spray cleaners, spray the cleaning solution onto a soft cloth or sponge, never directly onto the products, as the atomised spray could enter openings and gaps and cause damage after cleaning rinse thoroughly with clean water to remove any cleaner residue.

Residues of toiletries such as liquid soaps, shower gels, shampoos, hair dyes, perfumes, lipstick, aftershave, and nail varnish can also cause damage, carefully clean these using the methods above.

Other care instructions:

- Angle valves (shut-off valves under the washbasin or bidet) and wall valves should be actuated once every quarter.
- Move thermostats once a month over the entire temperature range with the water flowing at full volume to ensure that the control cartridge continues to function correctly.
- To avoid heavy scale deposits we recommend that you clean them using a citric acid-based product.

- Rain showers, body sprays and rinsing sprays with an anti-scale system.
- Deposits on the plastic shower nozzles should be removed at regular intervals by rubbing gently over the raised areas. This achieves an ideal spray pattern and prevents malfunctions.

For full warranty information, visit [https:](https://www.iwandw.com/wp-content/uploads/2019/08/IW-Warranty.pdf)

www.iwandw.com/wp-content/uploads/2019/08/IW-Warranty.pdf

