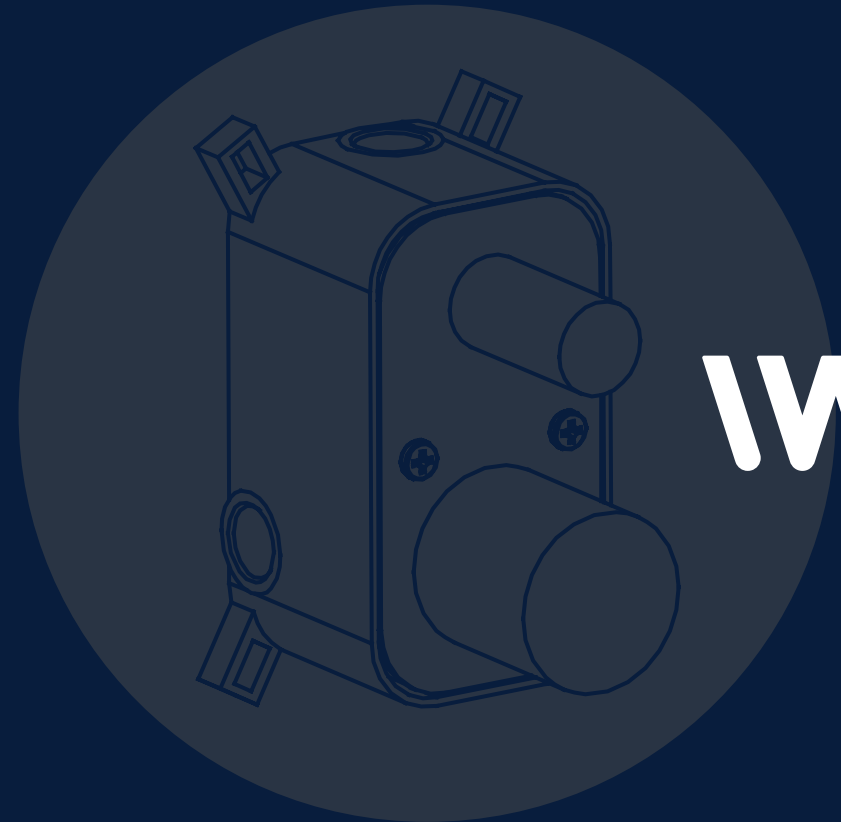
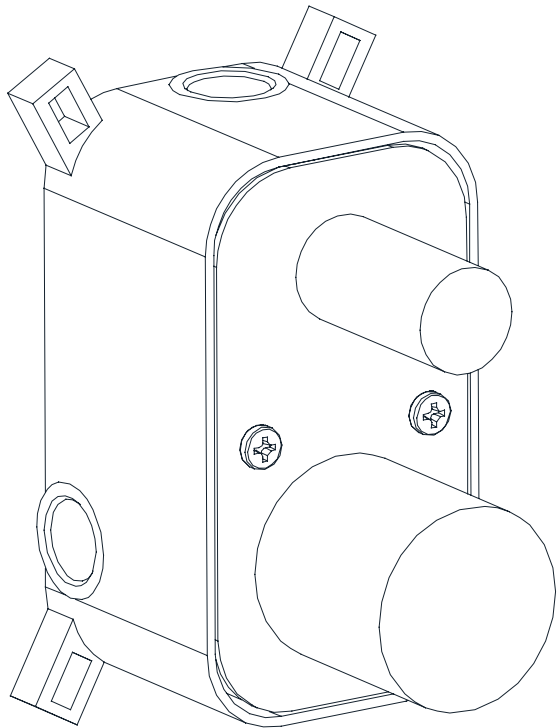
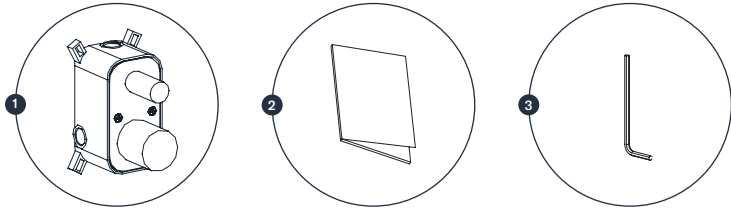




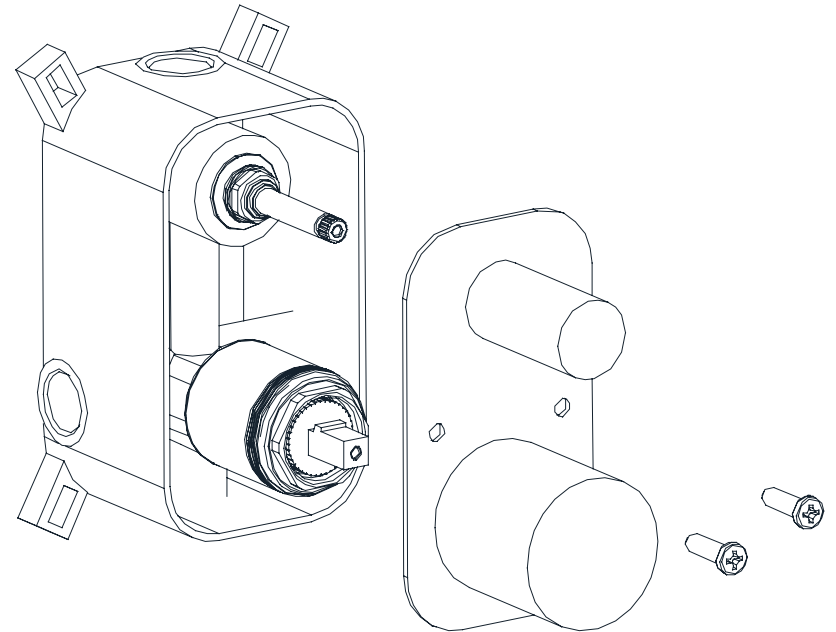
Concealed Box Installation Guide.



1

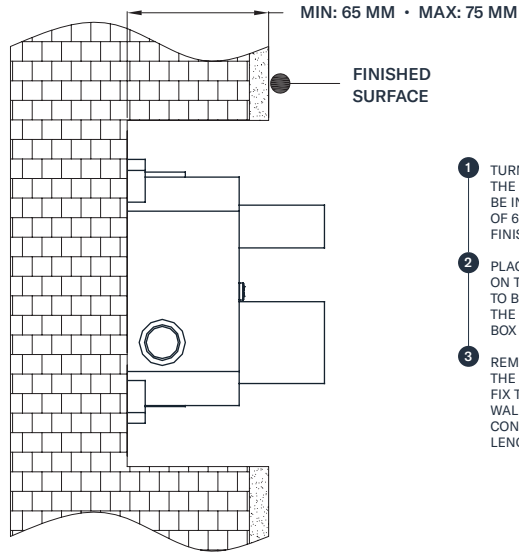


2



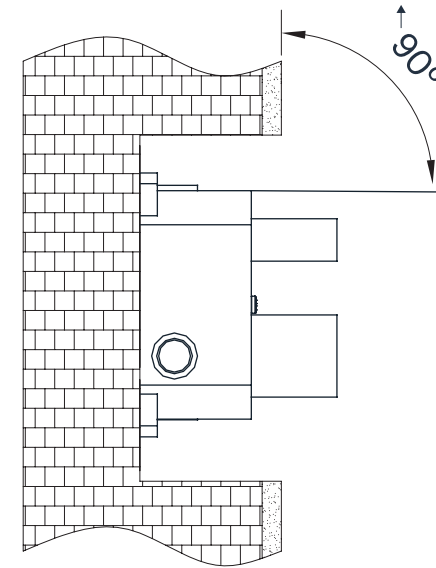
- SHOWER VALVE UNIVERSAL CONCEALED BOX
- INSTALLATION GUIDE
- ALLEN KEY

3



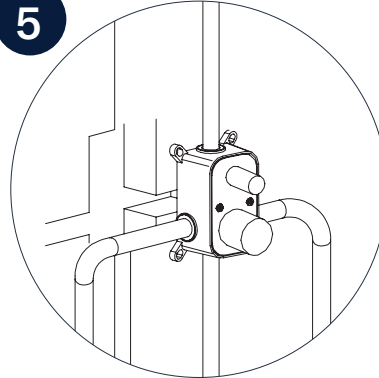
- 1 TURN OFF THE WATER SUPPLY. THE CONCEALED BOX NEEDS TO BE INSTALLED WITHIN A RANGE OF 68-75MM IN DEPTH FROM THE FINISHED SURFACE.
- 2 PLACE THE CONCEALED BOX ON THE WALL WHERE IT NEEDS TO BE INSTALLED AND MARK THE FIXING HOLES USING THE BOX AS A GUIDE.
- 3 REMOVE BOX AND DRILL THE REQUIRED HOLES TO FIX THE BOX ONTO THE WALL. ALWAYS TAKING INTO CONSIDERATION THE PIPE LENGTHS.

4



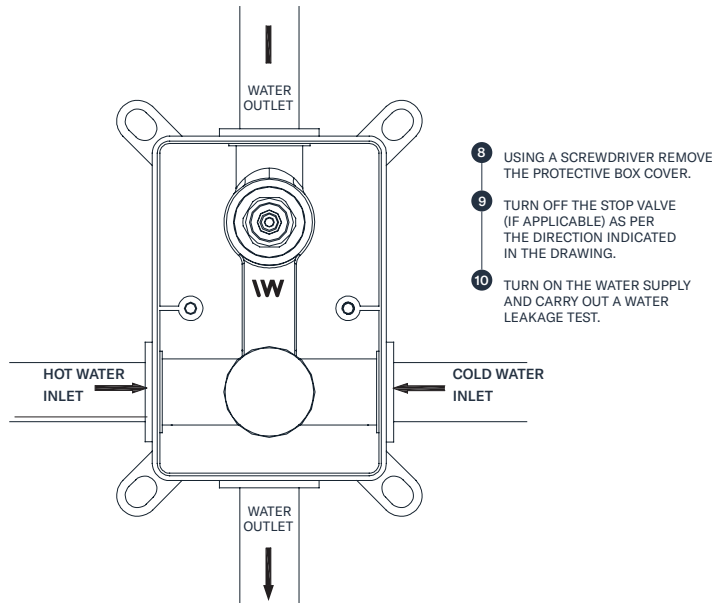
- 4 FIX THE BOX ONTO THE WALL, USE THE LEVELER WHICH IS ON THE BOX COVER TO ENSURE THAT THE VALVE IS INSTALLED VERTICALLY AND AT 90° TO THE FINISHED WALL.

5



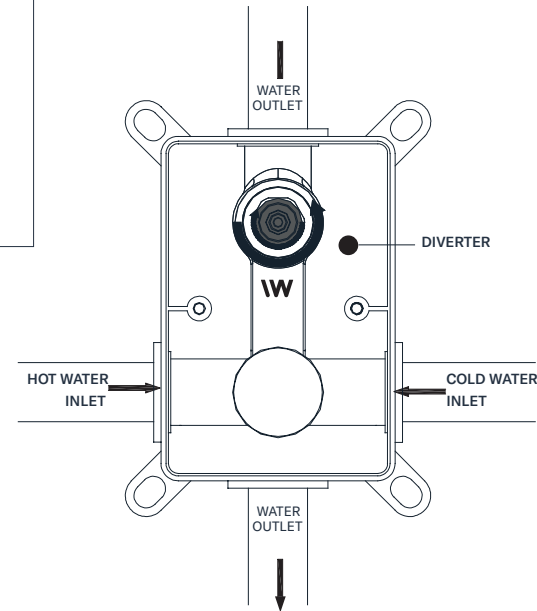
- 5 BEFORE INSTALLING THE CONCEALED BOX, FLUSH THE PIPES IN ORDER TO ELIMINATE ANY IMPURITIES, SAND AND MUD TO PREVENT BLOCKAGE.
- 6 CARRY OUT A HIGH PRESSURE WATER TEST TO MAKE SURE THERE IS NO PIPE LEAKAGE.
- 7 CONNECT THE OUTLET AND INLET PIPE TO THE CONCEALED BOX ALWAYS PAYING ATTENTION TO THE HOT AND COLD WATER PIPE.

6



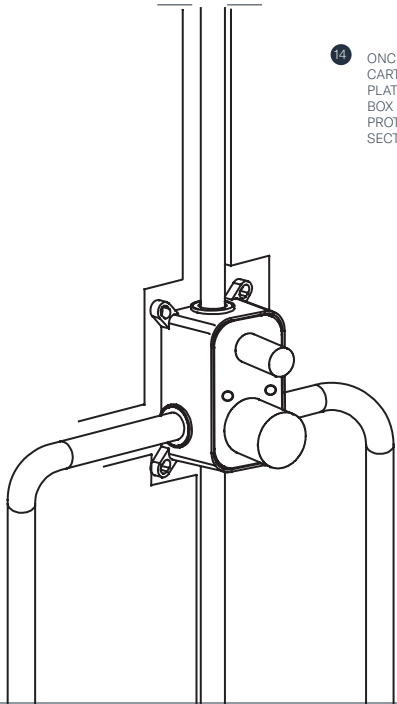
- 8 USING A SCREWDRIVER REMOVE THE PROTECTIVE BOX COVER.
- 9 TURN OFF THE STOP VALVE (IF APPLICABLE) AS PER THE DIRECTION INDICATED IN THE DRAWING.
- 10 TURN ON THE WATER SUPPLY AND CARRY OUT A WATER LEAKAGE TEST.

7



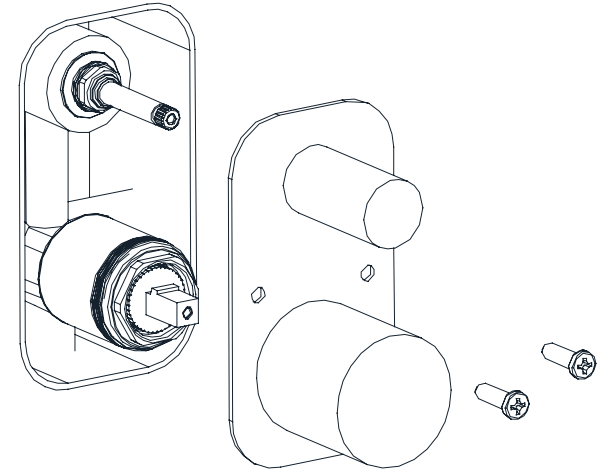
- 11 (IF APPLICABLE) AFTER CARRYING OUT THE WATER LEAKAGE TEST TURN OFF THE STOP VALVES AS PER THE DIRECTION INDICATED IN THE DRAWING.
- 12 TURN THE DIVERTER TO CHECK FOR LEAKAGE AT THE OUTLET CONNECTION POINTS.
- 13 ONCE ALL THE TESTING HAS BEEN CARRIED OUT REPLACE THE UNIVERSAL VALVE BOX COVER TO PROTECT THE VALVE FROM DAMAGE DURING THE BUILD.

8

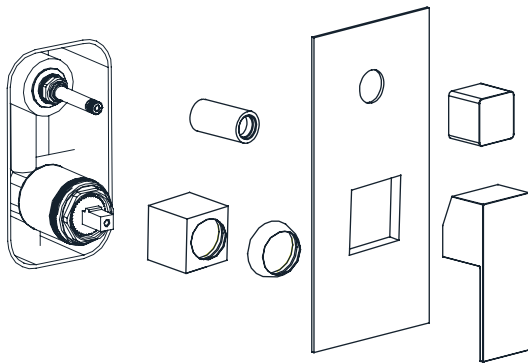


14 ONCE IT'S TIME TO INSTALL THE CARTRIDGE COVER, HANDLES AND PLATE, REMOVE THE UNIVERSAL BOX COVER AND THE CARTRIDGE PROTECTIVE COVER AS SHOWN IN SECTION 10.

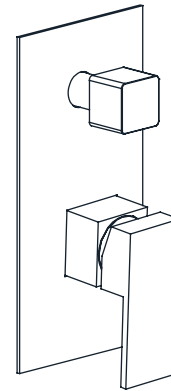
9



10



15 CONNECT THE CARTRIDGE COVER UNIT TO THE VALVE AS PER DIAGRAM, ADD THE PANELS, THE HANDLES AND YOU'RE READY TO GO! ENJOY.



To ensure maximum performance and many years of use, please follow these recommendations carefully.

The majority of products can be cleaned with warm water, mild soap, and a clean, soft cloth or microfibre cloth. Do not use any abrasive cleaning pads or strong cleaning products containing ammonia, bleaches, alcohol, dyes, acids (hydrochloric, formic, phosphorus, or chlorine) as this could damage the product.

When using spray cleaners, spray the cleaning solution onto a soft cloth or sponge, never directly onto the products, as the atomised spray could enter openings and gaps and cause damage after cleaning rinse thoroughly with clean water to remove any cleaner residue.

Residues of toiletries such as liquid soaps, shower gels, shampoos, hair dyes, perfumes, lipstick, aftershave, and nail varnish can also cause damage, carefully clean these using the methods above.

Other care instructions:

- Angle valves (shut-off valves under the washbasin or bidet) and wall valves should be actuated once every quarter.
- Move thermostats once a month over the entire temperature range with the water flowing at full volume to ensure that the control cartridge continues to function correctly.
- To avoid heavy scale deposits we recommend that you clean them using a citric acid-based product.
- Rain showers, body sprays and rinsing sprays with an anti-scale system.
- Deposits on the plastic shower nozzles should be removed at regular intervals by rubbing gently over the raised areas. This achieves an ideal spray pattern and prevents malfunctions.



iwandw.com

FOR FULL WARRANTY INFORMATION, VISIT [HTTPS
www.iwandw.com/wp-content/uploads/2019/08/IW-Warranty.pdf](https://www.iwandw.com/wp-content/uploads/2019/08/IW-Warranty.pdf)